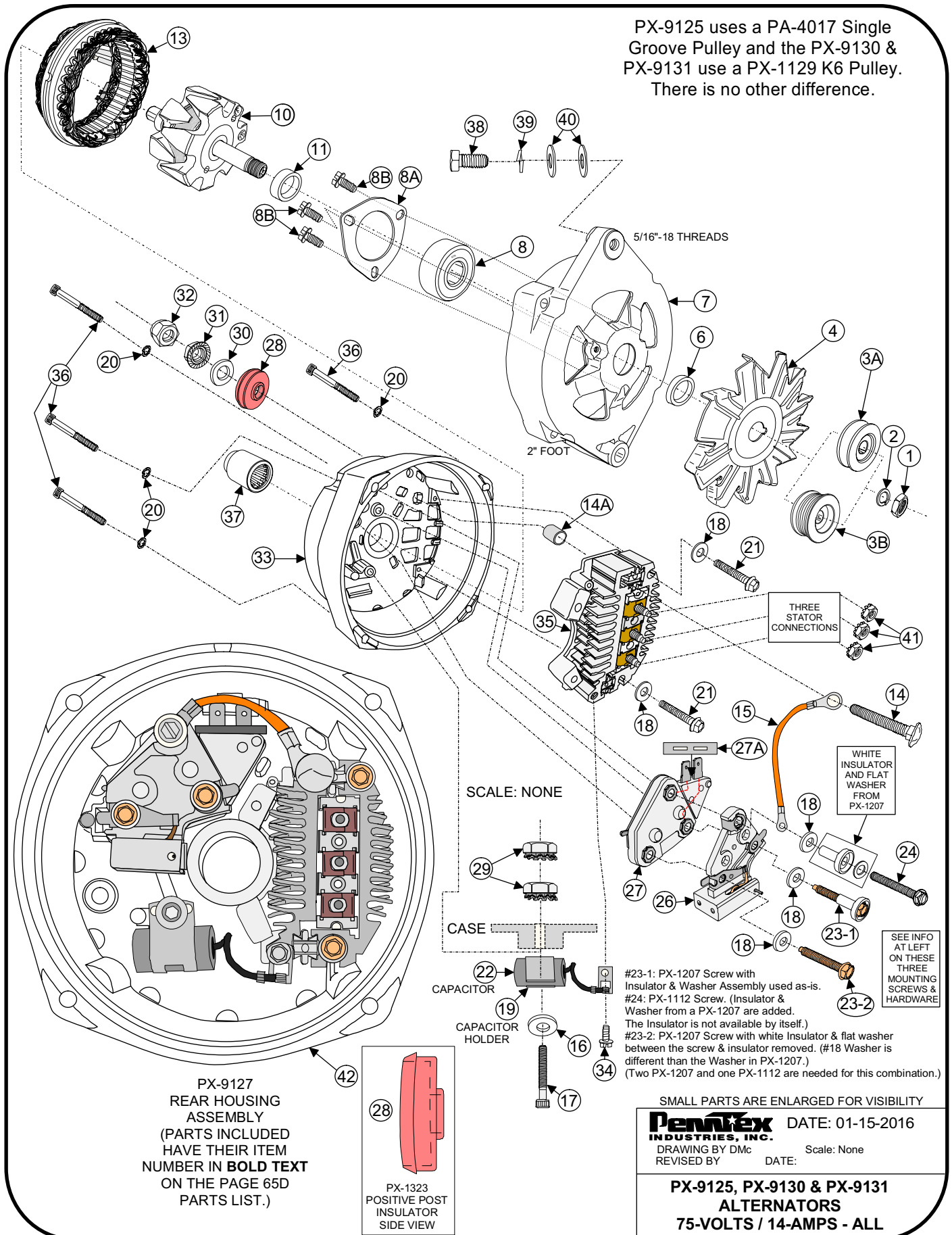
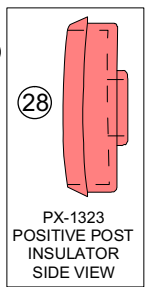


PX-9125 uses a PA-4017 Single Groove Pulley and the PX-9130 & PX-9131 use a PX-1129 K6 Pulley. There is no other difference.



**PX-9127**  
**REAR HOUSING**  
**ASSEMBLY**  
 (PARTS INCLUDED  
 HAVE THEIR ITEM  
 NUMBER IN **BOLD** TEXT  
 ON THE PAGE 65D  
 PARTS LIST.)



Penntex INDUSTRIES, INC. DATE: 01-15-2016  
 DRAWING BY Dmc Scale: None  
 REVISED BY DATE:

**PX-9125, PX-9130 & PX-9131**  
**ALTERNATORS**  
**75-VOLTS / 14-AMPS - ALL**

**PX-9125, PX-9130 & PX-9131 (75-VOLT)**



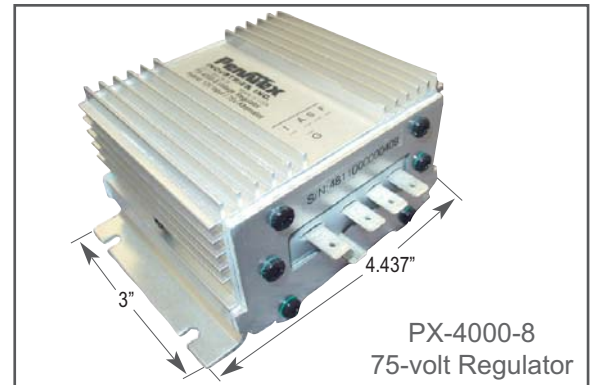
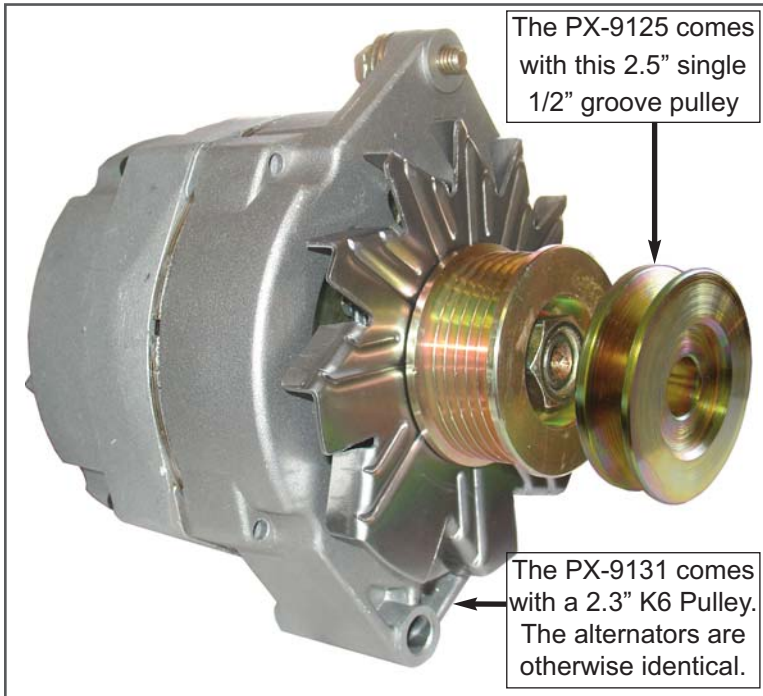
**PARTS LIST**

All PX-9 Serial Numbers

Note: PKG Part #'s are multiples. Quantity (Qty.) is the number of single parts in one alternator.

No.	Part #	Description	Qty.	No.	Part #	Description	Qty.
1	PX-1060-PKG	Nut, Rotor (Package of 10)	1	<b>30</b>	PX-1103-PKG	Washer, #14 Flat (Package of 10)	1
2	PX-1059-PKG	Washer, Rotor Lock (Pkg of 10)	1	<b>31</b>	PA-3607	Nut, 1/4-20 Flange	1
3A	PA-4017	Pulley, 2.5x1/2 Single V-Belt (PX-9125)	1	<b>32</b>	PX-1197	Nut, 1/4-20 Nylon Lock	1
3B	PX-1129	Pulley, 2.3 K6 SB (PX-9130, 9131)	1	<b>33</b>	PX-1177	Housing, Rear, Bare, (PX-9)	1
4	PX-1182	Fan, Cooling (PX-9)	1	<b>34</b>	PX-1096-PKG	Screw, 8-32x3/8" Hex (Pkg of 25)	1
6	PX-1169	Spacer, Fan (PX-9)	1	<b>35</b>	PX-4226	Rectifier, Positive & Negative (PX-9)	1
7	PX-1179	Housing, Front, with 3 tapped holes for front bearing retainer screws (PX-9)	1	<b>36</b>	PX-5605	Screw, 10-24x2 Socket Head Cap	4
8	PX-1025	Bearing, Front (PX-9)	1	<b>37</b>	PX-1062	Bearing, Rear Needle (PX-9)	1
8A	PX-1170	Retainer, Front Bearing (PX-9)	1	<b>38</b>	PX-5610	Bolt, 5/16-18X1-1/4 Hex Head, Grade 8, Z2	1
8B	PX-1054-PKG	Screw, Retainer (Pkg of 10)	3	<b>39</b>	PX-5611	Washer, 5/16 Lock, Grade 8, Z3	1
10	PX-1181	Rotor, 75-Volt (PX-9)	1	<b>40</b>	PX-5612	Washer, 5/16 Flat, Grade 8, USS, Z2	2
11	PX-1168	Spacer, Rotor (PX-9)	1	<b>41</b>	PX-1099-PKG	Nut, 8-32 Keps (Pkg of 25)	3
13	PX-1500	Stator, 75-Volt, 14-Amp (PX-9)	1	<b>42</b>	PX-9127	Housing, Rear Assembly, not including Stator (All parts in column 1 with a BOLD number are included in the PX-9127 Assembly, in a quantity listed in column 4 of each row.)	1
<b>14</b>	PX-5600	Bolt, 1/4-20x1-3/4" Carriage (PX-9)	1			See Page 79A for information on Regulator and Harness Usage on PX-9 Charging Systems.	
<b>14A</b>	PX-1120	Post Insulation, Sleeve #5, 1/4" long	1				
<b>15</b>	PX-3558	Strap, Rectifier (PX-9)	1				
<b>16</b>	PX-1111-PKG	Washer, # 10 Flat (Pkg of 25)	1				
<b>17</b>	PX-1126	Screw, 10-32x1-1/2" Socket Head Cap	1				
<b>18</b>	PX-1098-PKG	Washer, #8 Flat (Pkg of 25)	3				
<b>19</b>	PX-1148	Holder, Capacitor (PX-9)	1				
20	PX-1100-PKG	Washer, #10 Lock (Pkg of 25)	4				
<b>21</b>	PX-1260	Screw, 8-32x1" HWH-MS Serrated	2				
<b>22</b>	PX-1173	Capacitor (PX-9)	1				
<b>NOTE: 3 Parts below are assembled in specific combinations:</b>							
<b>23-1</b>	PX-1207 (#1 of 2)	Screw, 8-32, with White Insulator and Flat Washer (NOTE: This part is used as-is in this location)	1			Contact Us: Phone: 817-590-2818 Toll Free: 877-590-7366 Fax: 817-590-0505 Tech Fax: 817-590-0398 web: www.penntexusa.com email: sales@penntexusa.com tech@penntexusa.com	
<b>23-2</b>	PX-1207 (# 2 of 2)	Screw, 8-32, with White Insulator & Flat Washer (NOTE: White Insulator & Flat washer are removed from the screw when it is installed in this location. #18 Flat Washer is used under the screw.)	1				
<b>24</b>	PX-1112	Screw, 8/32x1-1/4 Hex. Part # includes the screw only. It does not include the Insulator & Washer from a PX-1207 that needs to be used. See drawing.	1				
<b>26</b>	PX-1175	Brush Holder Assembly (PX-9 Only)	1				
<b>27</b>	PA-4205	Regulator, Dummy (Not a Regulator. Used for passage of current only- See photo on Page 78 for more information)	1				
<b>27A</b>	PX-1147	Terminal Seal, Foam, for Dummy Regulator	1				
<b>28</b>	PX-1323	Insulator, Positive Terminal, Red (PX-9)	1				
<b>29</b>	PX-1113-PKG	Nut, 10-32 Keps (Pkg of 25)	2				

### HEAVY DUTY ALTERNATORS / CHARGING SYSTEMS

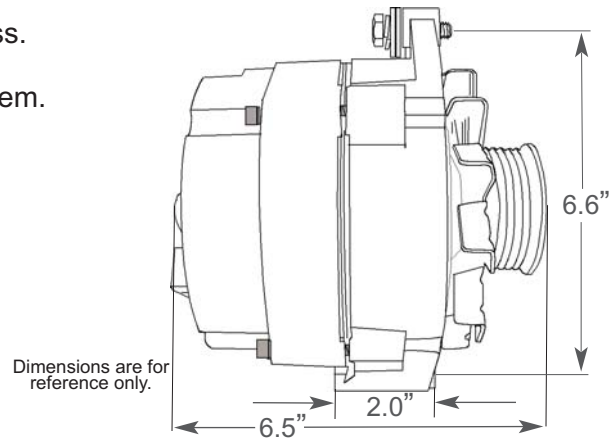


For Industrial-type vehicles that require reliable 14-amp, 75-volt power. This Hybrid charging system uses a 12-volt source to power accessories such as a windshield heater. Contact [sales@penntexusa.com](mailto:sales@penntexusa.com) or call 877-590-7366 for more information.

- ✱ These alternators use a PX-3522 charging system harness.
- ✱ The harness and regulator kit part number is PX-3525.
- ✱ Order PX-3525 & the alternator part # for a complete system.

#### WARRANTY

PENNTEX INDUSTRIES, INC. STANDARD INDUSTRIAL SERIES WARRANTY IS TWELVE (12) MONTHS/UNLIMITED MILES.



### PERFORMANCE, ENDURANCE AND SATISFACTION

**Penntex**  
INDUSTRIES, INC.

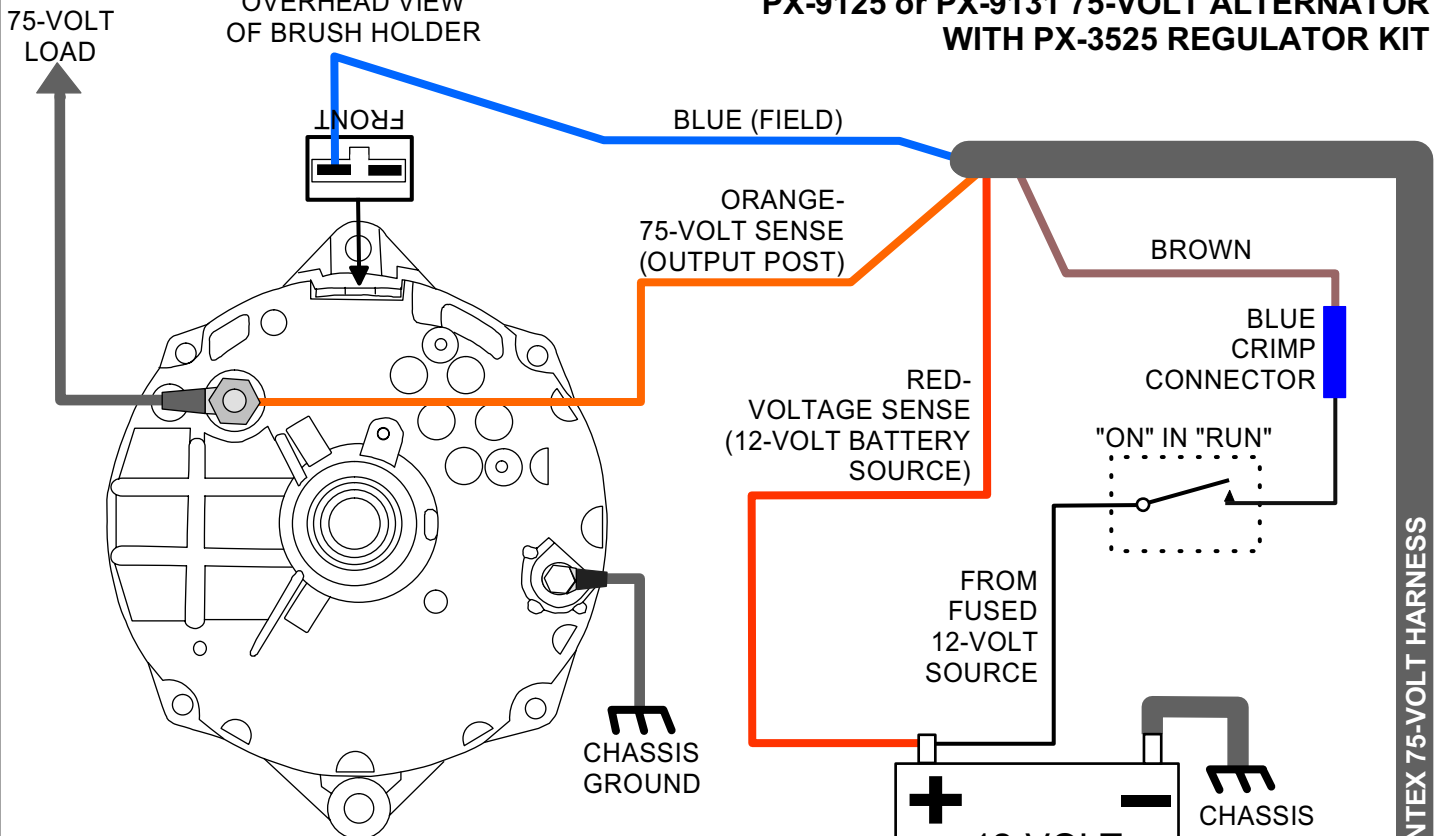
Manufacturers of  
High Efficiency Alternators and  
Mobile Electronic Devices.

**Corporate:**  
202 Plaza Drive  
Manchester, PA 17345  
Ph: 717-266-8762  
Fax: 717-266-7803

**Sales/ Manufacturing/ Tech/  
Warranty/ Shipping:**  
7620 Flagstone Street  
Fort Worth, TX 76118  
Ph: 817-590-2818, Toll Free: 877-590-7366  
Fax: 817-590-0505, Tech Fax: 817-590-0398

[www.penntexusa.com](http://www.penntexusa.com)  
email: [sales@penntexusa.com](mailto:sales@penntexusa.com)  
[tech@penntexusa.com](mailto:tech@penntexusa.com)

**PX-9125 or PX-9131 75-VOLT ALTERNATOR WITH PX-3525 REGULATOR KIT**



**PENNTEX HARNESS KEY:**  
 BLUE: ALTERNATOR FIELD  
 ORANGE: 75-VOLT SENSE  
 RED: 12-VOLT BATTERY SENSE  
 BROWN: 12-VOLT IGNITION-ON SOURCE  
 BLACK: REGULATOR GROUND  
 (NOTE: A 12-VOLT REGULATOR OR HARNESS WILL NOT WORK IN THIS APPLICATION)

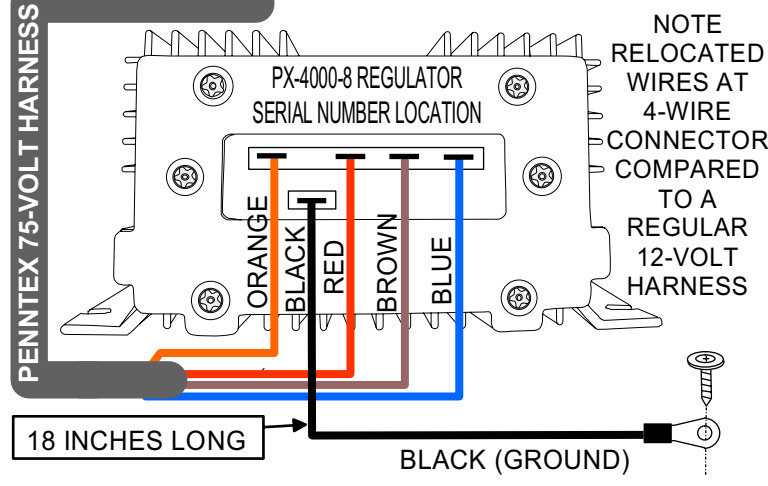
**PART NUMBERS:**

75-VOLT ALTERNATOR ONLY:  
**PX-9125** (WITH 2.5" x 1/2" SINGLE V-BELT PULLEY)  
**PX-9131** (WITH 2.3" K6 SERPENTINE PULLEY)  
 (THE PULLEY IS THE ONLY DIFFERENCE)

VOLTAGE REGULATOR ONLY: **PX-4000-8**

36" LONG WIRING HARNESS FOR THIS 75-VOLT SYSTEM ONLY: **PX-3522**

PART NUMBER FOR REGULATOR/ HARNESS KIT WITH ONE PX-4000-8 & PX-3522: **PX-3525**  
 (THERE ARE NO COMPLETE ALTERNATOR, REGULATOR, & HARNESS PART NUMBERS)



**NOTES:**

THIS IS A GENERIC WIRING SCHEMATIC FOR A 75-VOLT SYSTEM USING A PX-9125 OR PX-9131 ALTERNATOR AND A PX-3525 REGULATOR KIT (REGULATOR AND HARNESS). THIS DIAGRAM IS NOT SPECIFIC TO ANY CERTAIN MAKE, MODEL, OR ENGINE.

**Penntex INDUSTRIES, INC.**  
 FT. WORTH, TX MANCHESTER, PA  
 877-590-7366 penntexusa.com

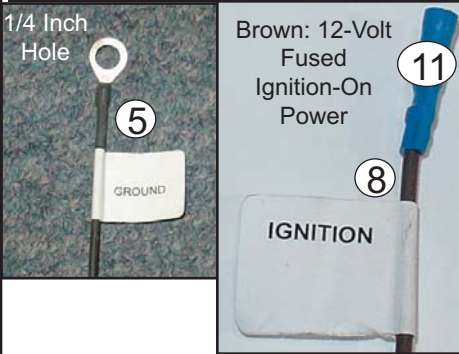
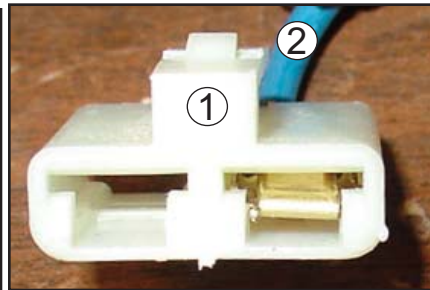
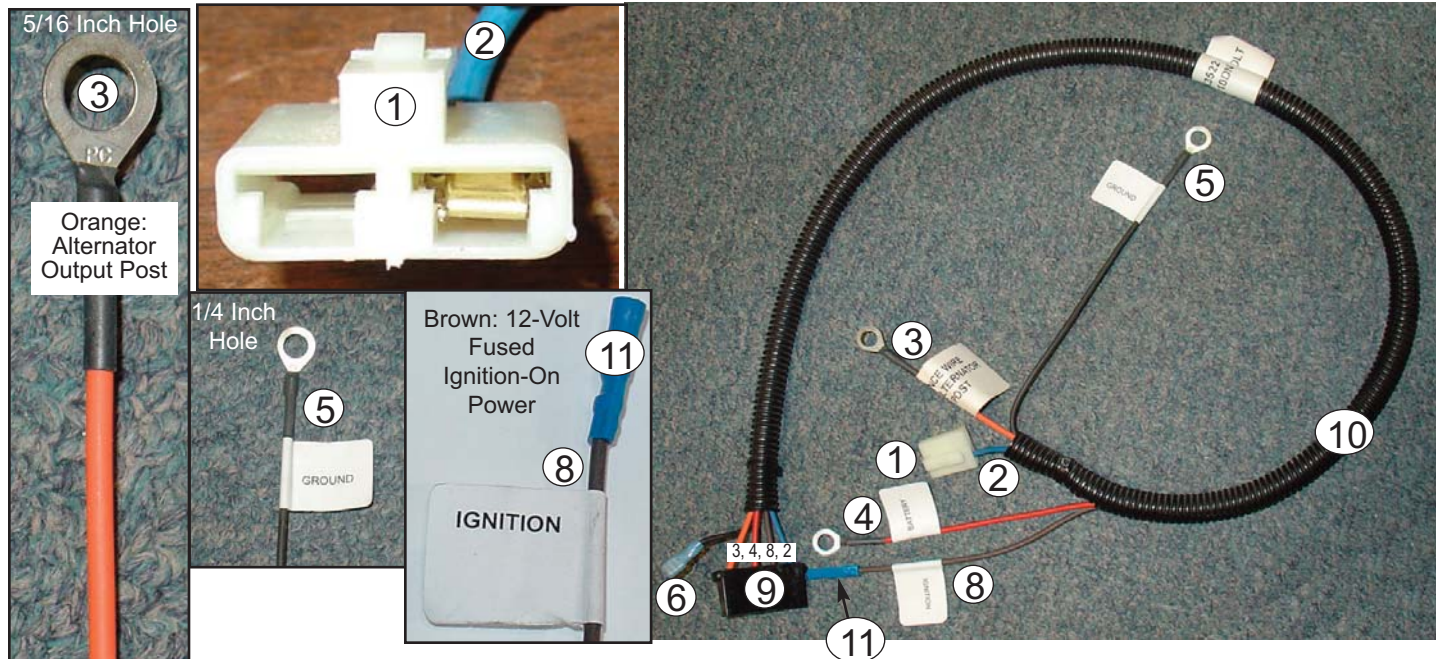
TITLE/DESC. GENERIC WIRING DIAGRAM FOR A 75-VOLT PX-9125 OR PX-9131 ALTERNATOR WITH A PX-3525 REGULATOR KIT		
DATE: 01-08-15	DRAWING NUMBER: PD-305	REVISION #
DRAWN BY: DMc	UPDATED BY:	CHECKED BY:
SCALE: NONE		PAGE: 1 OF 1



**Get The PennTex Advantage!**  
 PERFORMANCE, ENDURANCE AND SATISFACTION

# PennTex PX-3522 Harness Connections For PX-9 Alternators

Used on 75-Volt Charging Systems using the PX-9125 & PX-9131 Alternator

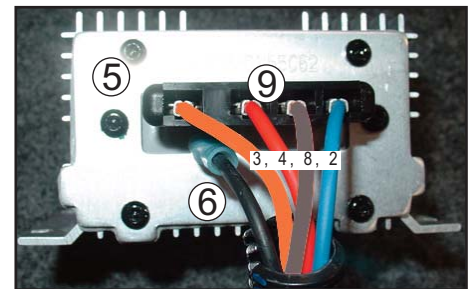


Red: 12-Volt Positive Battery Post

**Part ID List:**

- 1) Alternator Connector (note that the Blue wire is the only wire in this connector.)
- 2) Blue / Field
- 3) Orange / Alternator Output Post
- 4) Red / Positive 12-Volt Battery Post Terminal Connection
- 5) Voltage Regulator (not included)
- 6) Black / Regulator Ground
- 7) Harness Ground Connector
- 8) Brown / Ignition-On Power
- 9) Regulator 4-Wire Connector
- 10) 1/2" Split Loom Wire Harness Protector
- 11) Blue Crimp Connector for 12-Volt Key-on Power

**NOTE THAT THE BROWN & ORANGE WIRE LOCATIONS ARE SWITCHED IF COMPARED TO MOST OTHER PENNTEX REGULATORS**



Voltage Regulator (not included with harness unless ordered as a kit)  
 Voltage Regulator 4-Wire Connector  
 Regulator Ground Wire Connector

## PERFORMANCE, ENDURANCE AND SATISFACTION

**PennTex**  
 INDUSTRIES, INC.

Manufacturers of  
 High Efficiency Alternators and  
 Mobile Electronic Devices.

**Corporate:**  
 202 Plaza Drive  
 Manchester, PA 17345  
 Ph: 717-266-8762  
 Fax: 717-266-7803

**Manufacturing/ Sales/ Tech/ Warranty:**  
 7620 Flagstone Drive  
 Fort Worth, TX 76118  
 Ph: 817-590-2818, Toll Free: 877-590-7366  
 Fax: 817-590-0505, Tech Fax: 817-590-0398

[www.penntexusa.com](http://www.penntexusa.com)  
 Email: [sales@penntexusa.com](mailto:sales@penntexusa.com)  
[tech@penntexusa.com](mailto:tech@penntexusa.com)

