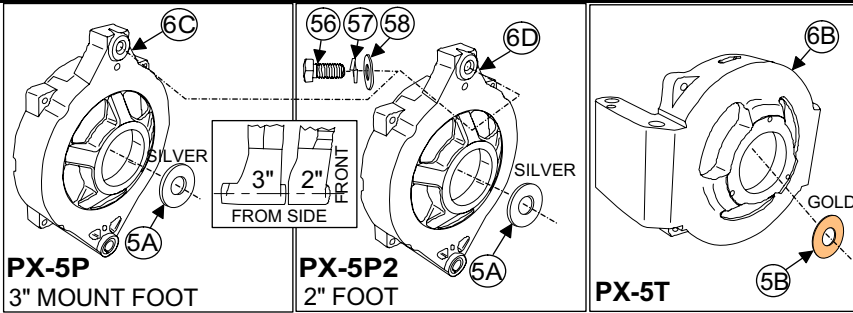


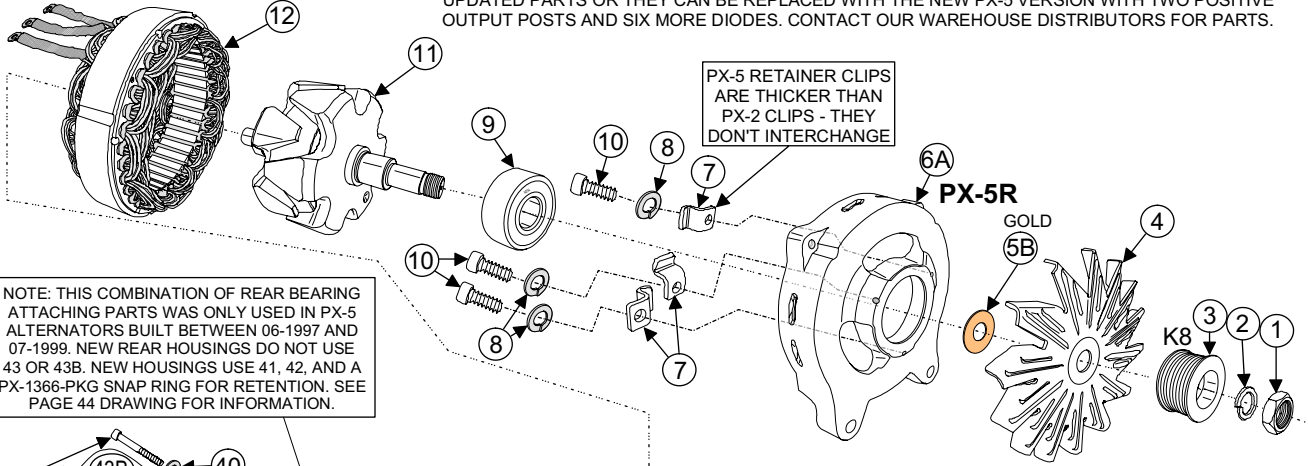
THE EARLY PX-5 HAD ONE POSITIVE POST AND ONE NEGATIVE POST.

AN EARLY-STYLE "LONG LEAD" STATOR WILL WORK WITH LATER MODEL FINNED HEAT SINKS, BUT LEADS ON STANDARD-LENGTH STATORS MADE FOR FINNED HEAT SINKS ARE NOT LONG ENOUGH TO WORK WITH EARLY FLAT HEAT SINKS. EARLY PX-5 LONG-LEAD STATOR PART NUMBER IS PX-1299-1L.

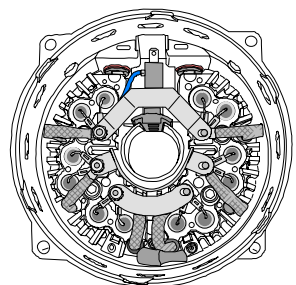
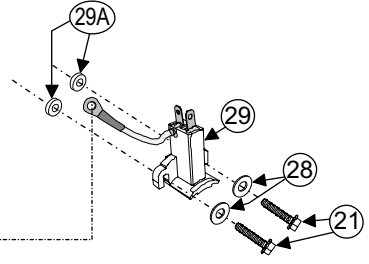
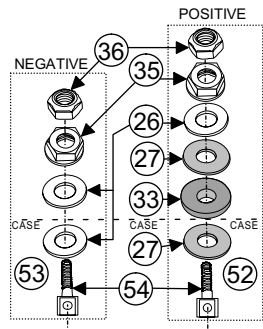
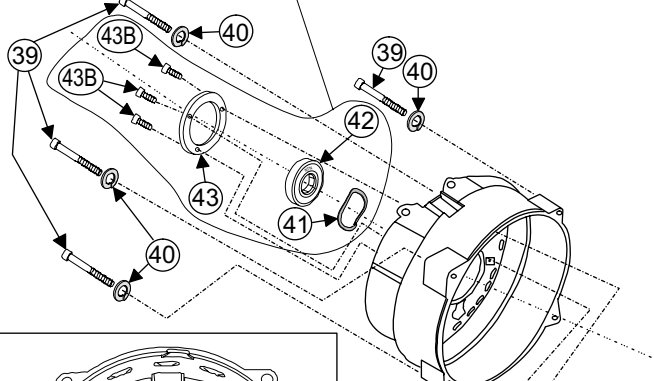
PX-1299-L "LONG LEAD" STATOR IS SHOWN ROTATED 90 DEGREES COUNTER-CLOCKWISE FROM INSTALLED POSITION



NOTE: THIS EARLY VERSION OF THE PX-5 HAS HAD MANY UPDATES. THEY CAN BE REBUILT USING SOME UPDATED PARTS OR THEY CAN BE REPLACED WITH THE NEW PX-5 VERSION WITH TWO POSITIVE OUTPUT POSTS AND SIX MORE DIODES. CONTACT OUR WAREHOUSE DISTRIBUTORS FOR PARTS.

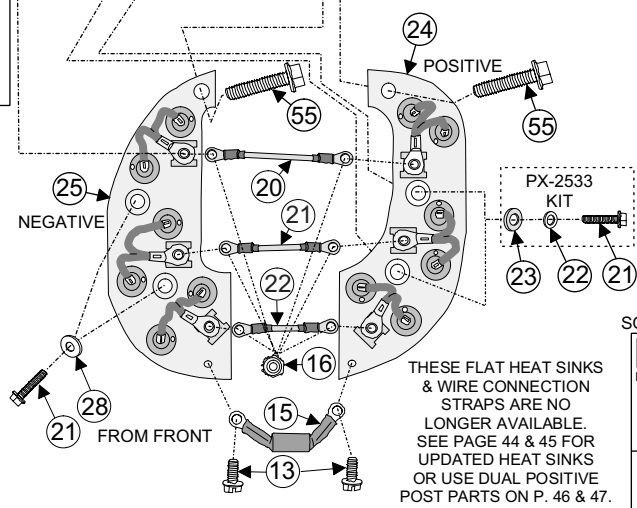


NOTE: THIS COMBINATION OF REAR BEARING ATTACHING PARTS WAS ONLY USED IN PX-5 ALTERNATORS BUILT BETWEEN 06-1997 AND 07-1999. NEW REAR HOUSINGS DO NOT USE 43 OR 43B. NEW HOUSINGS USE 41, 42, AND A PX-1366-PKG SNAP RING FOR RETENTION. SEE PAGE 44 DRAWING FOR INFORMATION.



DUAL POSITIVE UPDATED REAR HOUSING ASSEMBLY WITH MOST COMPONENTS INSTALLED.
NOTE: DOES NOT INCLUDE STATOR, PX-1291 REAR BEARING, PX-1249-PKG WAVE WASHER*, & PX-1366-PKG REAR BEARING RETAINER CLIP*
*AVAILABLE ONLY IN MULTIPLES

TWO REAR HOUSING ASSEMBLY WITHOUT STATOR
PART NUMBERS:
(48A) FOR PX-5R: PX-5650
(48B) FOR PX-5P, PX-5P2, PX-5T: PX-5655



SEVERAL IMPORTANT PARTS OF THE FIRST DESIGN (EARLY-MODEL) PX-5 REAR HOUSING ASSEMBLY ARE NO LONGER AVAILABLE. THESE INCLUDE THE REAR HOUSING, REAR BEARING RETAINER & HEAT SINKS, AMONG OTHERS. AN UPDATED REAR HOUSING ASSEMBLY IS RECOMMENDED USING EITHER A PX-5650 FOR A PX-5R, OR A PX-5655 FOR A PX-5P, P2, OR T. THIS NEW REAR HOUSING ASSEMBLY WILL HAVE TWO POSITIVE POSTS WITH 12 POSITIVE & 6 NEGATIVE DIODES UNLIKE THESE EARLY MODELS THAT HAVE ONE POSITIVE POST AND ONE NEGATIVE POST. MORE INFO AT www.penntexusa.com/faq.

SOME PARTS ARE DRAWN LARGER FOR VISIBILITY

Penntex INDUSTRIES, INC. DATE: 02-01-2016
DRAWING BY DMc Scale: None
REVISED BY DATE:

EARLY PX-5 ALTERNATORS

PX-5-200 Early SINGLE Positive Post (12-VOLT)

PARTS LIST

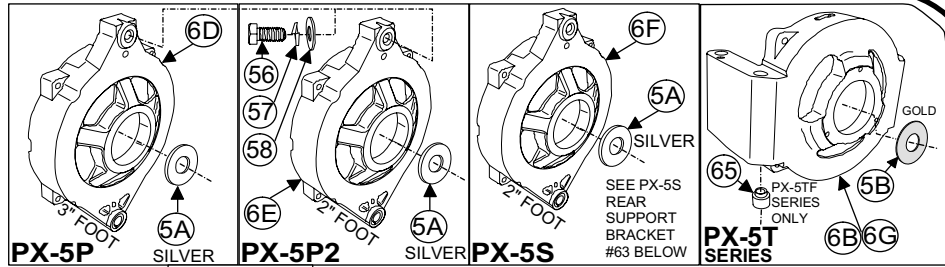
Serial #'s 06976693 to 079916154



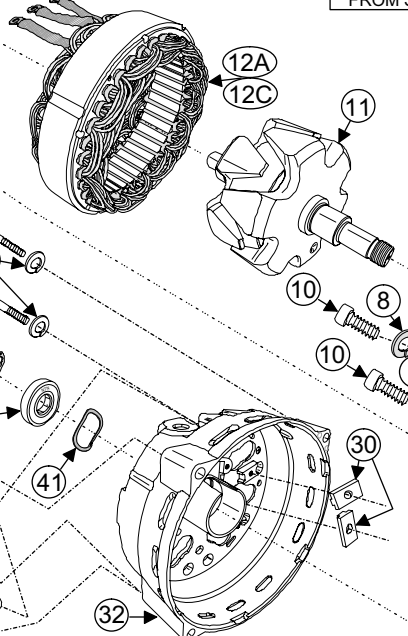
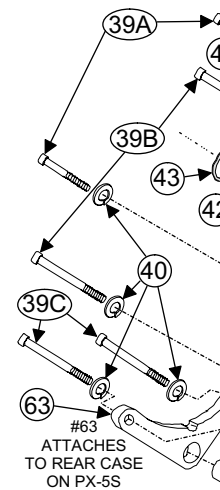
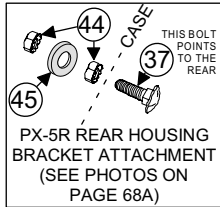
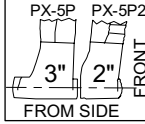
Note: Quantity (Qty.) is the number of single parts required in one alternator

No.	Part #	Description	Qty.	No.	Part #	Description	Qty.
1	PX-1060-PKG	Nut, SB Rotor (Package of 10)	1	41	PX-1249-PKG	Spring, Wave (PX2/4G/5) (Pkg 10)	1
2	PX-1059-PKG	Washer, Rotor Lock (Pkg of 10)	1	42	PX-1291	Bearing, Rear (PX5)	1
3	PX-1130	Pulley, 2.3 K8 SB (PX5R, PX5T)	1	43	*	Cap, Bearing Retainer	1
***	PX-1129	Pulley, 2.3 K6 SB	1	43B	*	Screw, Bearing Retainer Cap, Rear	3
4	PX-1057	Fan, Cooling (PX5, All)	1	48A	PX-5650	Housing Assembly, Rear without Stator and Bearing (PX5R) Updates alternator to Dual Positive Output Post	1
5A	PX-1058-PKG	Spacer,Fan/ Washer, Silver, .133" thick, (PX5P, PX5P2) (Pkg of 10)	1	48B	PX-5655	Housing Assembly, Rear without Stator & Bearing (PX5T,P,P2) Updates alternator to Dual Positive Output Post	1
5B	PX-1273-PKG	Spacer,Fan,Gold (PX5R,PX5T)(Pkg 5)	1	See additional Parts Below: Additional parts (plus 48A or 48B above) needed to complete update of Early PX5 to Dual Positive Post Rear Housing: *** Quantity of 1 PX-1299-1 Stator, 230-Amp (PX5) 42 Quantity of 1 PX-1291 Rear Bearing (PX5) 41 Quantity of 1 PX-1249-PKG Wave Washer (Pkg 10) *** Quantity of 1 PX-1366-PKG Bearing Retainer Clip (Pkg 10) Parts with a "PKG" suffix are only sold in multiples			
6A	PX-1411	Housing, Front, Bare (PX5R)	1				
6B	PX-1122	Housing, Front, Bare (PX5T)	1	52	PX-2520	Post Hardware Kit, Positive, Old-style	1
6C	PX-1051	Housing, Front, Bare (PX5P)	1	53	PX-2521	Post Hardware Kit, Negative, Old-style	1
6D	PX-1123	Housing, Front, Bare (PX5P2)	1	54	PX-1066	Post, Attachment, Old-style	2
7	PX-1289-PKG	Retainer, Bearing Z-Clip (Pkg 10)	3	55	PX-1102	Bolt, Attaching, Old-style Post to Heat Sink	2
8	PX-1100-PKG	Washer, #10 Lock (Pkg of 25)	3	56	PX-1117	Bolt, 3/8x1-1/4" Grade 5	1
9	PX-1074	Bearing, Front	1	57	PX-1244-PKG	Washer, 3/8" Flat (Pkg of 5)	1
10	PX-1305-PKG	Screw, 10-24x1/2" Socket Head Cap(Pkg 10)	3	58	PX-1115-PKG	Washer, 3/8" Lock (Pkg of 15)	1
11	PX-1300	Rotor, 12-Volt (PX5)	1	***	*	Part is no longer available Part is not shown in drawing	
12	PX-1299-1L	Stator, 12-Volt, 200-Amp (Long Leads)	1	The Single Positive Post PX-5 has been superseded by the by the Dual Positive Post PX-5. The new design has twice as many positive diodes and the negative diodes are now in the rear housing. See Pages 46 & 47 of this catalog for info. See penntexusa.com for PX-5 Single & Dual Post differences.			
13	PX-1096-PKG	Screw, 8-32x3/8" Hex (Pkg of 25)	2				
14	*	Rectifier Connector Strap- Short	1	Contact Us: 877-590-7366 Phone: 817-590-2818 Fax: 817-590-0505 Tech Fax: 817-590-0398 e-mail: sales@penntexusa.com tech@penntexusa.com			
15	PX-4511-PKG	Capacitor Assembly (Pkg of 5)	1				
16	PX-1099-PKG	Nut, 8-32 Keps (Package of 25)	6	PennTex 02-09-2016			
17	*	Rectifier Connector Strap- Medium	1				
19	*	Rectifier Connector Strap- Long	1				
21	PX-1097-PKG	Screw, 8-32x1/2" Hex (Pkg of 25)	6				
22	PX-1108-PKG	Washer, M4 Flat (Pkg of 50)	3				
23	PX-1049-PKG	Insulator, 8/32 Black Shoulder (Pkg 25)	2				
24	*	Heat Sink Assembly, Flat, Positive	1				
25	*	Heat Sink Assembly, Flat, Negative	1				
26	PX-1116-PKG	Washer, 5/16" Flat (Pkg of 15)	3				
27	PX-1071-PKG	Insulator, Red Fiber Washer (Pkg of 10)	2				
28	PX-1098-PKG	Washer, # 8 Flat (Pkg of 25)	4				
29	PX-2506	Brush Holder Assembly (PX5)	1				
29A	*	Spacer, Brush Holder	2				
30	PX-1072-PKG	Insulator, White Heat Sink (Pkg of 10)	2				
32	*	Housing, Rear, Bare (PX5, Early) (Use new-style Housing Assemblies (# 48) or parts on Pages 44 & 45.	1				
33	PX-1070-PKG	Insulator, Post (Black) (Pkg of 10)	1				
35	PX-1105-PKG	Nut, 5/16-18 Flange (Pkg of 25) (A PX-1516 Jam Nut can be substituted)	2				
36	PX-1106-PKG	Nut, 5/16-18 Steel Lock (Pkg 15)	2				
39	PX-1294-PKG	Bolt, Rear Housing Attaching, (Pkg of 5)	4				
40	PX-1104-PKG	Washer, #14 Lock (Pkg of 15)	4				

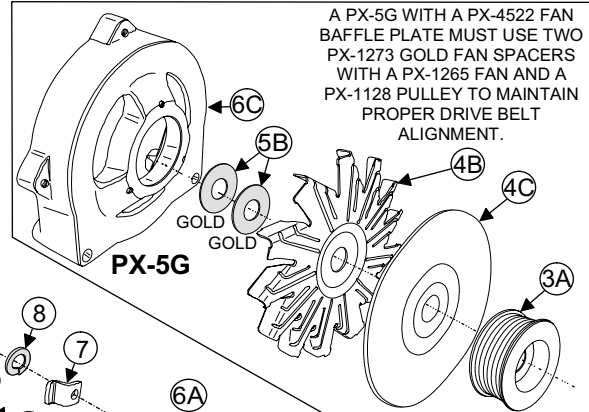
NOTE: PX-5 ALTERNATORS UP TO SERIAL NUMBER 100555948 HAD ONE POSITIVE POST AND ONE NEGATIVE POST. PX-5 SYSTEMS AFTER THAT SERIAL NUMBER HAVE TWO POSITIVE POSTS. BE SURE OF WHAT YOU HAVE. THE SINGLE POSITIVE POST PX-5 IS SUPERSEDED BY THE DUAL POSITIVE POST PX-5. SEE PAGES 46 & 47 FOR PX-5 DUAL POSITIVE POST PARTS. www.penntexusa.com HAS ADDITIONAL INFORMATION ON PX-5 DIFFERENCES.



STATOR IS SHOWN ROTATED 90 DEGREES COUNTER-CLOCKWISE FROM INSTALLED POSITION

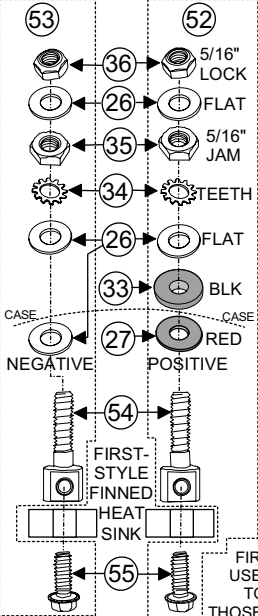


PX-5 RETAINER CLIPS ARE THICKER THAN PX-2 CLIPS - THEY DON'T INTERCHANGE

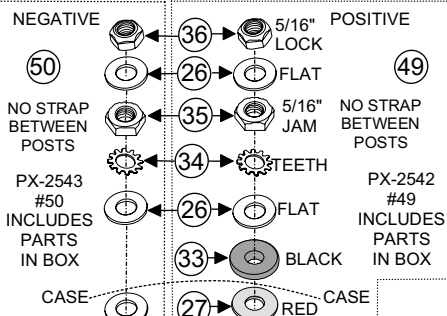


DO NOT ELIMINATE THE FAN BAFFLE ON THIS MODEL.

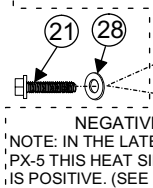
OLD-STYLE POST PARTS ALIGNMENT (DIFFERENT FROM NEW STYLE)



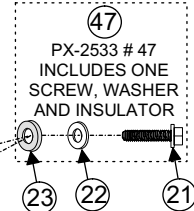
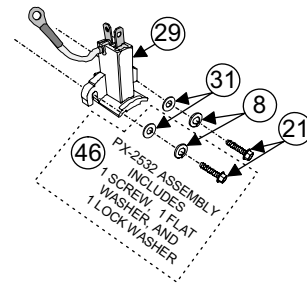
SOME PX-5 REAR HOUSINGS HAD THE NUMBER PX-1124 CAST IN THEM. THE SAME CASTING WAS USED FOR PX-2 & PX-5 HOUSINGS WITH DIFFERENT MACHINING FOR THE DIFFERENT SIZED BEARINGS. DO NOT ORDER A PX-1124 FOR A PX-5. THE CORRECT REAR HOUSING PART # IS PX-1292.



PX-2541 #25 INCLUDES PARTS IN BOX



PX-2540 #24 INCLUDES PARTS IN BOX



SMALL PARTS ARE ENLARGED FOR VISIBILITY

Penntex
INDUSTRIES, INC.
DRAWING BY DMc
REVISED BY DATE:

Date: 08-31-2015

Scale: None

PX-5 ALTERNATORS WITH FINNED HEAT SINKS, SINGLE POSITIVE POST

PX-5-200, 230 & 250 SINGLE Positive Post (12-VOLT)

PARTS LIST

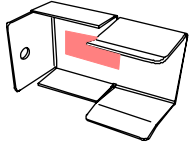
Serial #'s 079916155 to 100555948

Note: Quantity (Qty.) is the number of single parts required in one alternator

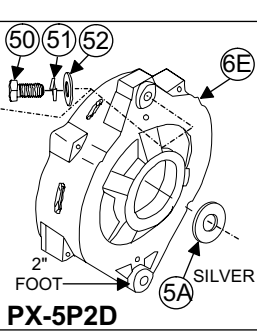
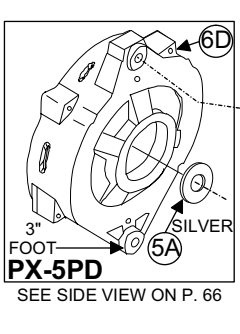
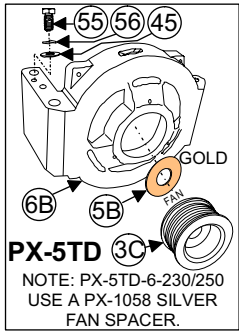


No.	Part #	Description	Qty.	No.	Part #	Description	Qty.
1	PX-1060-PKG	Nut, SB, Rotor,Pulley Attaching (Pkg10)	1	26	PX-1116-PKG	Washer, 5/16" Flat (Pkg of 15)	4
2	PX-1059-PKG	Washer, Rotor Lock (Pkg of 10)	1	27	PX-1071-PKG	Insulator, Red Fiber Washer (Pkg of 10)	1
3A	PX-1128	Pulley, 2.3 K6 SB (PX5G Only)	1	28	PX-1098-PKG	Washer, #8 Flat (Pkg of 25)	2
***	PX-1129	Pulley, 2.3 K6 SB (PX5P,P2, & PX5R after 2001(Prior PX5R was K8)	1	29	PX-2506	Brush Holder Assembly (PX5)	1
3C	PX-1130	Pulley, 2.3 K8 SB (PX5T, PX5R, Prior to use of K6 on PX5R after 2001)	1	30	PX-1072-PKG	Insulator, White, Positive Heat Sink (Pkg10)	2
***	PX-1155	Pulley, 2.3 K7 SB (PX5P2 Dodge)	1	31	PX-1111-PKG	Washer, #10 Flat (Pkg of 25)	2
4A	PX-1057	Fan, Cooling (All PX5 except 5G)	1	32	PX-1292	Housing, Rear, (PX5) NOTE: some housings had "PX-1124" cast in them. Not the PX5 part #.	1
4B	PX-1265	Fan, Cooling (PX5G Only)	1	33	PX-1070-PKG	Insulator,Positive Post (Black) (Pkg 10)	1
4C	PX-4522	Fan Baffle, (PX5G Only)	1	34	PX-1515	Washer, 5/16" External Tooth Lock	2
5A	PX-1058-PKG	Spacer, Fan,Silver (PX5P,PX5P2,PX5S, PX5T-6-200/230 & 250)(Package of 10)	1	35	PX-1516	Nut, 5/16x18 Jam	4
5B	PX-1273-PKG	Spacer,Fan,Gold (PX5G,T,R) (Pkg 5)	1	36	PX-1106-PKG	Nut, 5/16x18 Steel Lock (Pkg of 15)	2
6A	PX-1411	Housing, Front, Bare (PX5R)	1	37	PX-1295	Bolt, 1/4-20x1" Carriage (PX-5R)	1
6B	PX-1122	Housing, Front, Bare (PX5T)	1	39A	PX-1294-PKG	Bolt, Thru (PX2,PX4G,PX5)(Pkg of 5)	2
6C	PX-1348	Housing, Front, Bare (PX5G)	1	39B	PX-1361-PKG	Bolt, Thru (PX5) (Pkg of 5)	2
6D	PX-1051	Housing, Front, Bare (PX5P)	1	39C	PX-1340	Bolt,1/4-20x4-1/2" SHC (PX5S Only)	2
6E	PX-1123	Housing, Front, Bare (PX5P2)	1	40	PX-1104-PKG	Washer, 1/4" Lock (Pkg of 15)	4
6F	PX-1343	Housing, Front, Bare, (PX5S)	1	41	PX-1249-PKG	Spring, Wave,Rear Brg.(PX5)(Pkg 10)	1
6G	PX-1122-F	Housing, Frt,(PX5TF Series-w/spacers)	1	42	PX-1291	Bearing, Rear (PX5)	1
7	PX-1289-PKG	Retainer, Bearing Z-Clip (Pkg 10)	3	43	PX-1366-PKG	Retainer, Bearing C-Ring (Pkg of 10)	1
8	PX-1100-PKG	Washer, #10 Lock (Pkg of 25)	5	44	PX-1196	Nut, 1/4"-20 Keps (PX5R)	2
9	PX-1074	Bearing, Front	1	45	PX-1103-PKG	Washer, #14 Flat (Pkg of 10) (PX5R)	1
10	PX-1305-PKG	Screw, 10-24x1/2" SHC (Pkg 10)	3	46	PX-2532	Screw Assembly, Brush Holder	2
11	PX-1300	Rotor, 12-Volt (PX5, All)	1	47	PX-2533	Screw Assembly, Positive H/S Retaining	2
12A	PX-1299-1	Stator, 12-Volt 200 & 230-Amp (PX5) (200-amp stator was superseded by 230-amp stator)	1	49	PX-2542	Post Assembly, Positive, Newer Style	1
12C	PX-1299-5	Stator, 12-Volt, 250-Amp (PX5)	1	50	PX-2543	Post Assembly, Negative, Newer Style	1
***	PX-1299-3	Stator, 12-V 200-A (Externally Rectified)	1	52	PX-2520	Post Assembly, Pos, before 080340165	1
13	PX-1096-PKG	Screw, 8-32x3/8" Hex (Pkg of 25)	2	53	PX-2521	Post Assembly, Neg, before 080340165	1
14	PX-1352	Strap, Small Rectifier, Formed Metal	1	54	PX-1066	Post, Positive or Negative (Old Style)	2
15	PX-4511-PKG	Capacitor Assembly (Pkg of 5)	1	55	PX-1102	Bolt, Post Attaching (Old) 52 & 53 used before Alternator Serial # 080340165	2
16	PX-1099-PKG	Nut, 8-32 Keps (Pkg of 25)	6	56	PX-1117	Bolt, 3/8x1-1/4", Grade 5 (PX5P,P2)	1
17	PX-1351	Strap, Medium Rectifier, Formed Metal	1	57	PX-1115-PKG	Washer, 3/8" Lock (PX5P,P2)(Pkg 15)	1
18	PX-1392-PKG	Washer, 5/16" Flat (Thin) (Pkg of 10)	3	58	PX-1244-PKG	Washer, 3/8" Flat (PX5P,P2)(Pkg of 5)	1
19	PX-1350	Strap, Large Rectifier, Formed Metal	1	63	PX-1339	Bracket, Rear Housing Support (PX5S)	1
20	PX-2545-PKG	Positive/Negative Post,5/16" Sq. Head (Pkg5)	2	64	PX-1341	Spacer, Leg, PX5S Rear Bracket	1
21	PX-1097-PKG	Screw, 8-32x1/2" Hex (Pkg of 25)	6	65	PX-1328	Spacer, 1/2" Shoulder (PX5TF)	3
22	PX-1108-PKG	Washer, M4 Flat (Pkg of 50)	2	***		Not shown in the drawing	
23	PX-1049-PKG	Insulator, 8/32 Black Shoulder (Pkg 25)	2			Contact Us: 817-590-2818	
24	PX-2540	Heat Sink Assembly, Positive Right	1			Toll Free: 877-590-7366	
25	PX-2541	Heat Sink Assembly, Negative Left (Negative Heat Sink used up to S# 100555948)	1			Sales Fax: 817-590-0505	
						e-mail: sales@penntexusa.com	
						tech@penntexusa.com	
						PennTex 04-28-2015	

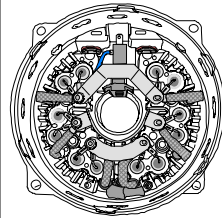
71 PX-7011
Ford 6.8L V-10
TPS Magnetic
Interference
Shield



See "Technical Information" at www.penntexusa.com



TWO POSITIVE POSTS

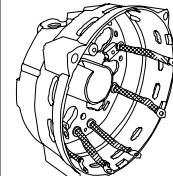


PX-5 REAR HOUSING ASSEMBLY WITHOUT STATOR, REAR BEARING, WAVE WASHER, SNAP RING, OR 3 STATOR ATTACHING NUTS

48A PX-5RD: PX-5650

48B PX-5PD/P2D/TD: PX-5655

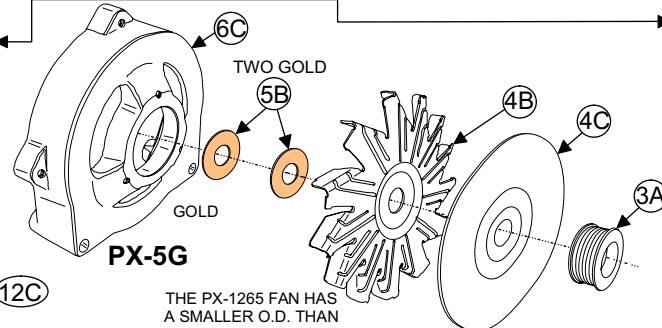
48C PX-5GD: PX-5655-G



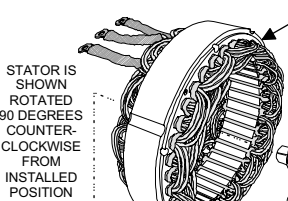
BARE PX-5 REAR HOUSING ASSEMBLY WITH SIX NEGATIVE DIODES PRESSED IN

32A PX-5653

DESIGN CHANGE:
THE NEWEST PX-5 REAR HOUSING ASSEMBLY HAS TWO POSITIVE HEAT SINKS WITH THE NEGATIVE DIODES IN THE REAR HOUSING. THIS ASSEMBLY CAN BE USED ON EARLIER PX-5 ALTERNATORS IF THE GROUND CABLE PREVIOUSLY CONNECTED TO THE ALTERNATOR IS RELOCATED TO A BRACKET OR MOUNT BOLT.

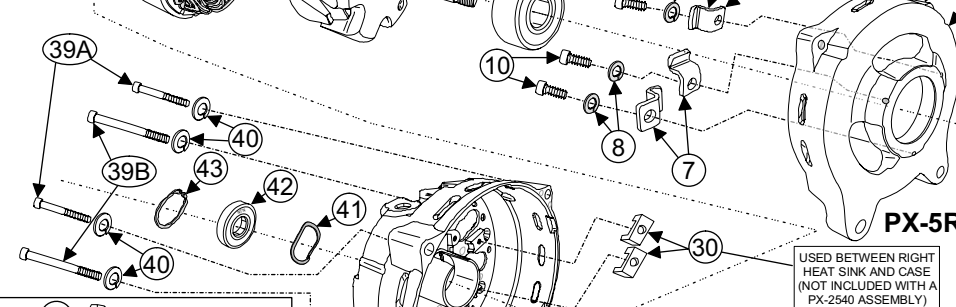


THE PX-1265 FAN HAS A SMALLER O.D. THAN THE PX-1057 FAN

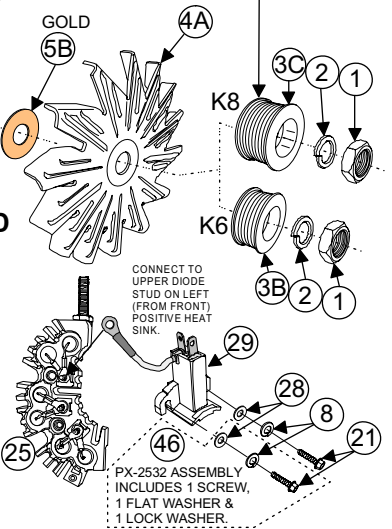
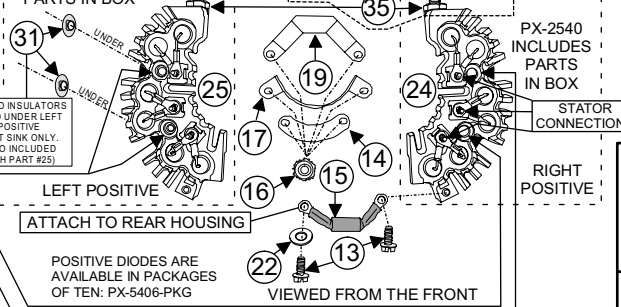
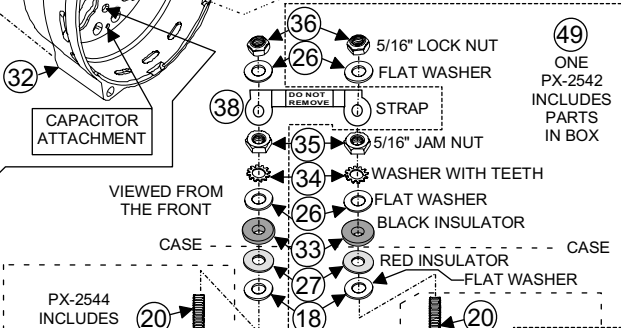
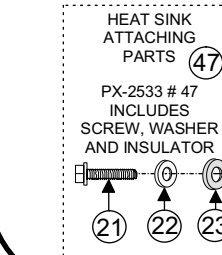
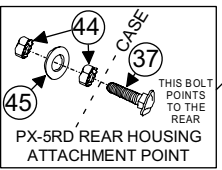


PX-5 RETAINER CLIPS ARE THICKER THAN PX-2 CLIPS - THEY DON'T INTERCHANGE

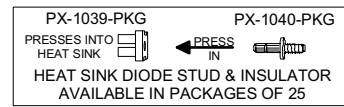
PX-5 PULLEY HISTORY:
A PX-1130 (K8) PULLEY WAS USED FROM 1997 TO 2001. A PX-1129 (K6) PULLEY WAS USED FROM 2001-UP. NOTE: SOME SPECIAL APPLICATIONS MAY STILL USE A PX-1130 (K8) PULLEY AFTER 2001.



53 NEGATIVE DIODE ASSEMBLIES ARE PRESSED INTO THE REAR HOUSING FROM THE REAR AND ARE AVAILABLE IN PACKAGES OF 10 (PX-5335-PKG). A PX-5 REAR HOUSING (PX-1292) IS AVAILABLE WITH 6 NEGATIVE DIODES ALREADY INSTALLED AS PART NUMBER PX-5653.



NOTE: ALL PX-5 200-AMP ALTERNATORS HAVE BEEN SUPERSEDED BY THE PX-5 230-AMP ALTERNATOR. SEE INFORMATION REGARDING CONNECTIONS IF REPLACING A SINGLE-POSITIVE-POST PX-5 WITH A DUAL-POSITIVE-POST PX-5 AT www.penntexusa.com.



Penntex INDUSTRIES, INC. Date: 02-16-2016
DRAWING BY Dmc Scale: None
REVISED BY DATE:

PX-5 DUAL POSITIVE POST ALTERNATORS

PX-5-200, 230 & 250 DUAL Positive Post (12-VOLT)

PARTS LIST

Serial #'s 100555949 to Present

Note: Quantity (Qty.) is the number of single parts required in one alternator



No.	Part #	Description	Qty.	No.	Part #	Description	Qty.
1	PX-1060-PKG	Nut, SB Rotor (Package of 10)	1	32A	PX-5653	Housing, Rear, (PX-5 - All after 10-2005 manufactured with Two Positive Posts), Bare, with 6 Negative Diodes pressed in	1
2	PX-1059-PKG	Washer, Rotor Lock (Pkg of 10)	1				
3A	PX-1128	Pulley, 2.3 K6 SB (PX-5GD)	1	***	PX -5654	Housing, Rear, w/ neg. diodes, brush assembly, capacitor installed (PX-5TD)	1
3B	PX-1129	Pulley, 2.3 K6 SB (PX-5RD*, PD, P2D)	1	***	PX-5656	Housing, Rear, w/ neg. diodes, brush assembly, capacitor installed (PX-5RD)	1
3C	PX-1130	Pulley, 2.3 K8 SB (PX-5RD*, TD, TFD)	1	33	PX-1070-PKG	Insulator, Output Post (Black) (Pkg 10)	2
4A	PX-1057	Fan, Cooling (PX-5 All Except PX-5GD)	1	34	PX-1515	Washer, 5/16" External Tooth Lock	2
4B	PX-1265	Fan, Cooling (PX-5GD only)	1	35	PX-1516	Nut, Hex, 5/16x18 Jam	4
4C	PX-4522	Fan Baffle, (PX-5GD only)	1	36	PX-1106-PKG	Nut, Hex, 5/16x18 Steel Lock (Pkg 15)	2
5A	PX-1058-PKG	Spacer, Fan, Silver (PX-5PD, P2D, TD6, TD6C-230 & 250) (Pkg of 10)	1	37	PX-1295	Bolt, 1/4-20x1" Carriage, (PX-5RD)	1
5B	PX-1273-PKG	Spacer, Fan, Gold, Thin, (All PX-5 except above)(PX-5G uses 2) (Pkg of 5)	1	38	PX-3555-PKG	Strap, Output Post, (All PX-5_D)(Pkg 3)	1
6A	PX-1411	Housing, Front, Bare (PX-5RD)	1	39A	PX-1294-PKG	Bolt, Thru, Short (PX-5) (Pkg of 5)	2
6B	PX-1122	Housing, Front, Bare (PX-5TD)	1	39B	PX-1361-PKG	Bolt, Thru, Long (PX-5) (Pkg of 5)	2
***	PX-1122-F	Housing, Front, with 3 pressed-in 1/2" High Mount Spacers (PX-5TFD Series)	1	40	PX-1104-PKG	Washer, 1/4" Lock (Pkg of 15)	4
6C	PX-1348	Housing, Front, Bare (PX-5GD)	1	41	PX-1249-PKG	Spring, Wave, Rear Brq. (PX-5) (Pkg 10)	1
6D	PX-1051	Housing, Front, Bare (PX-5PD)	1	42	PX-1291	Bearing, Rear (PX-5)	1
6E	PX-1123	Housing, Front, Bare (PX-5P2D)	1	43	PX-1366-PKG	Retainer, Bearing C-Ring (Pkg of 10)	1
7	PX-1289-PKG	Retainer, Front Bearing Z Clip (Pkg 10)	3	44	PX-1196	Nut, 1/4"-20 Keps	2
8	PX-1100-PKG	Washer, #10 Lock (Pkg of 25)	5	45	PX-1103-PKG	Washer, #14 Flat (Pkg of 10)	3
9	PX-1074	Bearing, Front (PX-5)	1	46	PX-2532	Hardware, Attaching Kit, Brush Holder = 1 Screw, 1 Lock Washer, 1 Flat Washer	2
10	PX-1305-PKG	Screw, 10-24x1/2" Socket Head Cap (Pkg10)	3	47	PX-2533	Hardware, Attaching Kit, Positive Heat Sink = Hardware for 1 Attachment Point	4
11	PX-1300	Rotor, 12-Volt (PX-5)	1	48A	PX-5650	Housing Assembly, Rear, without Stator or Bearing (PX-5RD)	1
12A	PX-1299-1	Stator, 12-Volt, 230-Amp (PX-5)**	1	48B	PX-5655	Housing Assembly, Rear without Stator or Bearing (PX-5TD, PD, P2D)	1
12C	PX-1299-5	Stator, 12-Volt, 250-Amp (PX-5)	1	48C	PX-5655-G	Housing Assembly, Rear, without Stator or Bearing (PX-5GD)	1
13	PX-1096-PKG	Screw, 8-32x3/8" Hex Head (Pkg of 25)	2	49	PX-2542	Hardware Kit, Post Assembly, Positive Includes Post and Hardware for 1 Side.	2
14	PX-1352	Strap, Small, Rectifier Connector	1	50	PX-1117	Bolt, 3/8x1-1/4" Grade 5	1
15	PX-4511-PKG	Capacitor Assembly (Pkg of 5)	1	51	PX-1244-PKG	Washer, 3/8" Flat (Pkg of 5)	1
16	PX-1099-PKG	Nut, 8-32 Keps (Pkg of 25)	6	52	PX-1115-PKG	Washer, 3/8" Lock (Pkg of 15)	1
17	PX-1351	Strap, Medium, Rectifier Connector	1	53	PX-5335-PKG	Diode Assembly, Negative (Pkg of 10)	6
18	PX-1392-PKG	Washer, 5/16" Flat (Thin) Pkg of 10)	2	55	PX-8336	Bolt, 1/4-20x3/4" (PX-5TD)	1
19	PX-1350	Strap, Large, Rectifier Connector	1	56	PX-8423	Washer, Lock	1
20	PX-2545-PKG	Output Post, 5/16" Square Head (Pkg5)	2	***	PX-7010	6.8L Ford V-10 TPS Shield (or below)	1
21	PX-1097-PKG	Screw, 8-32x1/2" Hex (Pkg of 25)	6	57	PX-7011	6.8L Ford V-10 TPS Shield w/ Tape to mount the Shield on the Sensor	1
22	PX-1108-PKG	Washer, M4 Flat (Pkg of 50)	5				
23	PX-1049-PKG	Insulator, 8/32 Black Shoulder (Pkg 25)	4				
24	PX-2540	Heat Sink Assembly, Positive, Right	1				
25	PX-2544	Heat Sink Assembly, POSITIVE, LEFT	1				
26	PX-1116-PKG	Washer, 5/16" Flat (Pkg of 15)	4				
27	PX-1071-PKG	Insulator, Red Fiber Washer (Pkg of 10)	2				
28	PX-1111-PKG	Washer, #10 Flat (Pkg of 25)	2				
29	PX-2506	Brush Holder Assembly (PX-5)	1				
30	PX-1072-PKG	Insulator, Rectangular, Between Right Positive Heat Sink & Case (Pkg of 10)	2				
31	PX-1091-PKG	Insulator, Round, Under Left Positive Heat Sink (included w/ PX-2544)(Pkg 5)	2				
32	PX-1292	Housing, Rear, Bare (PX-5, All)	1				

* See pulley information on P. 46 regarding K6 & K8 pulley usage.

** PX-5-200 Series alternators have been Superseded by PX-5 230-Amp alternators.

*** Not in diagram