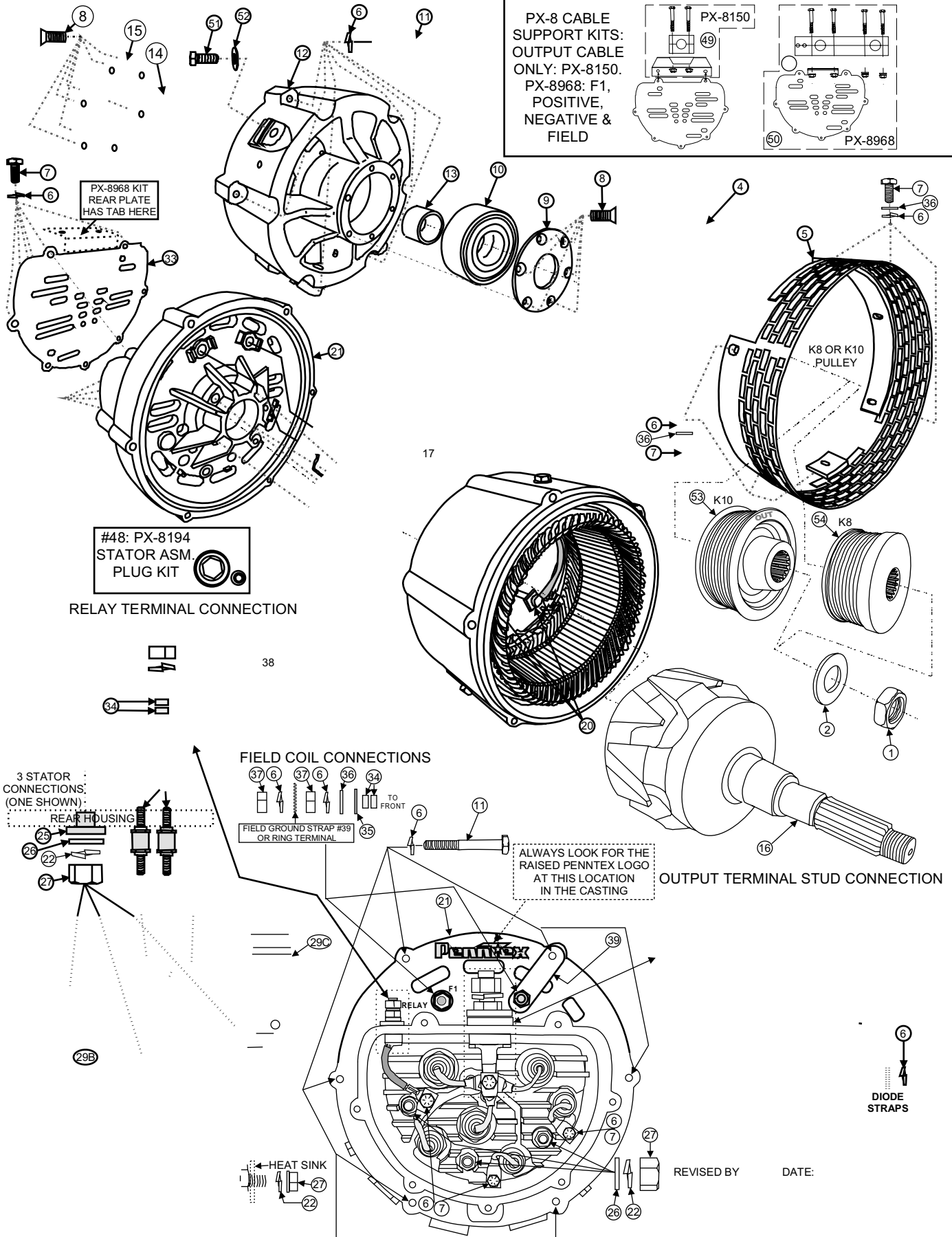


# PX-8

All



**PX-8 (24-VOLT)**

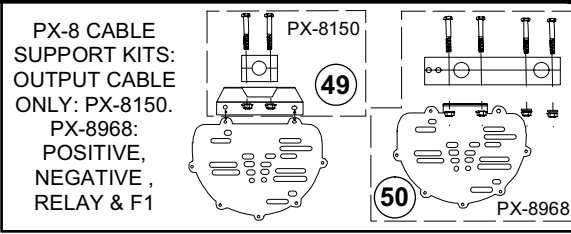
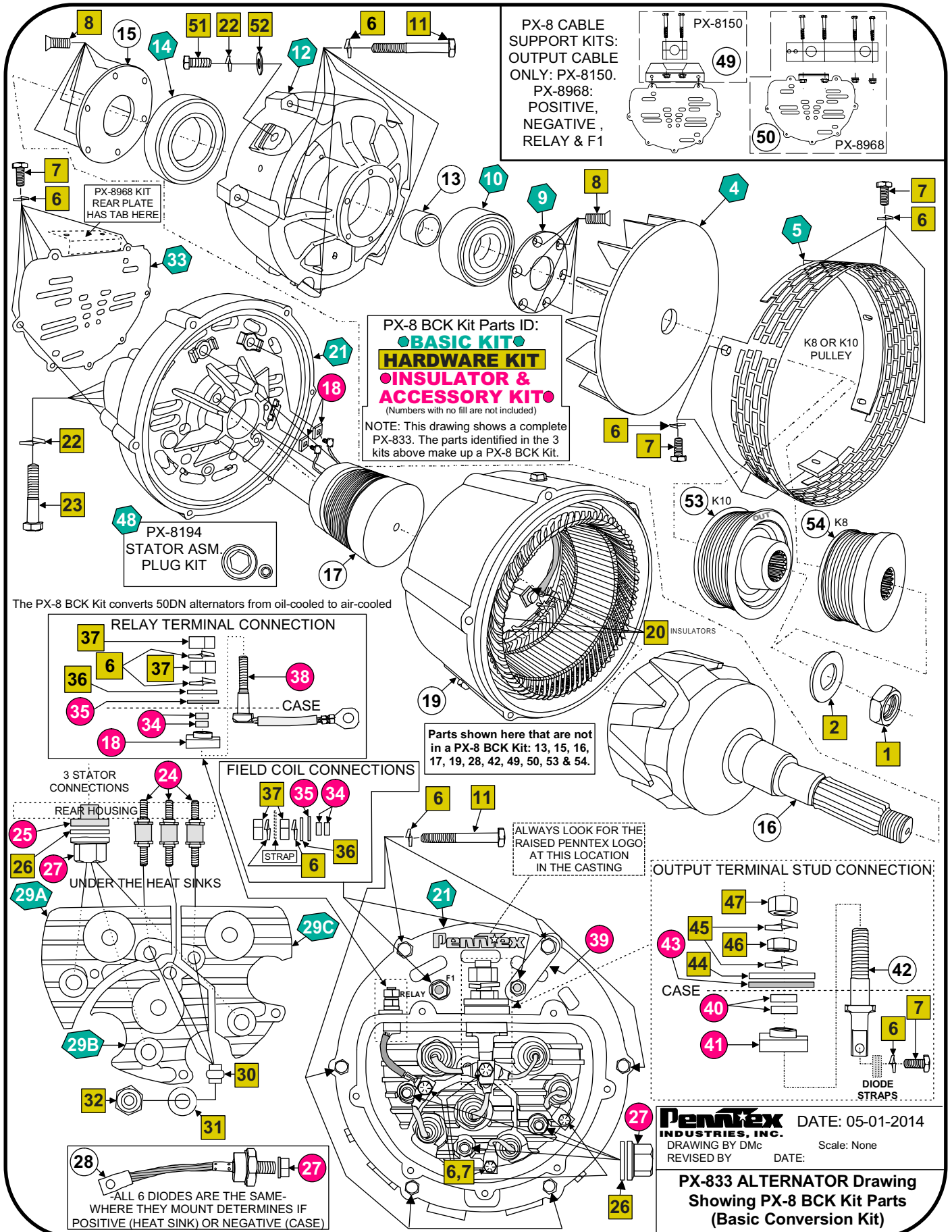
**PARTS LIST**

ALL

Note: Quantity (Qty.) is the number of single parts required in one alternator.

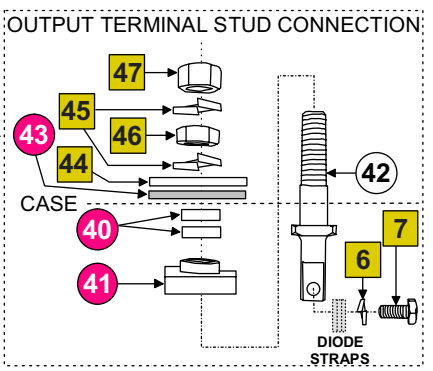
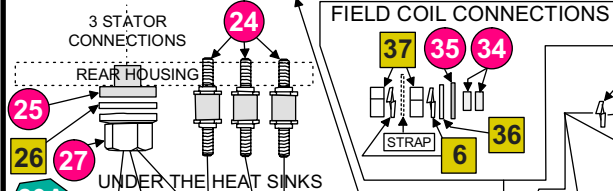
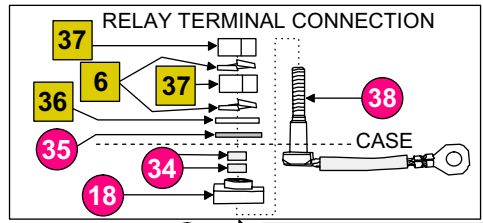


No.	Part #	Description	Qty.	No.	Part #	Description	Qty.
1	PX-8400	Nut, Rotor Shaft (PX-8)	1	44	PX-8205	Washer, Plain Output (PX-8)	1
2	PX-8261	Washer, Rotor Shaft Nut (PX-8)	1	45	PX-1252-PKG	Washer, 1/2" Split Lock, Grd8 (Pkg 15)	2
4	PX-8440	Fan, Cooling (PX-8)	1	46	PX-8967	Nut, 5/16" Thick Jamb, Output Post	1
5	PX-8058	Fan Shroud (PX-8)	1	47	PX-8548	Nut, 1/2" Thick, Output Post (PX-8)	1
6	PX-8423	Washer, DE Frame Screw Lock	35	#47 is the output cable attaching nut. It is almost twice as tall as the #46 post jamb nut. They do not interchange.			
7	PX-8336	Bolt, Attach, For Shroud/Cover/Etc.	35	48	PX-8194	Kit, Stator Assembly Plug	1
8	PX-8263	Screw, Bearing Retainer Plate	12	49	PX-8150	Kit, Cable Support (positive only)	1
9	PX-8310	Retainer, Outside DE Bearing	1	50	PX-8968	Kit, Pos/Negative Cable Support Kit	1
10	PX-8138	Bearing, Outer (PX-8)	1	51	PX-8999	Bolt, Ground (PX-8)	1
11	PX-8129	Bolt, Frame Attachment	12	52	PX-1382-PKG	Washer, Flat 3/8" (Pkg of 15)	1
12	PX-8307	Housing, Front (PX-8)	1	53	PX-8250	Pulley, K10, 4" OD, (PX-8)	1
13	PX-8056	Spacer, Bearing (PX-8)	1	54	PX-8251	Pulley, K8, 3.75" OD, (PX-8)	1
14	PX-8878	Bearing, Inner DE (PX-8)	1	NOTE:PX-833 alternators are normally sold without a pulley. Contact Sales for more information.			
15	PX-8060	Retainer, Inner DE Bearing (PX-8)	1	NOTE: A PX-8 Alternator uses the existing Regulator and Harness.			
16	PX-8315	Rotor, 24-volt (PX-8)	1	See our information on PX-8 BCK Kits to overhaul 50DN alternators and convert them to Air-Cooled operation.			
17	PX-8614	Coil Assembly, Field (PX-8)	1	Toll Free: 877-590-7366 Phone: 817-590-2818 Fax: 817-590-0505 Tech Fax: 817-590-0398 www.penntexusa.com sales@penntexusa.com tech@penntexusa.com			
18	PX-8249	Bushing, Fld. Term. Ins. (PX-8)	3				
19	PX-8568	Stator, 24-volts 330A (PX-8)	1				
20	PX-8051	Washer, Ins. Stator Term. (PX-8)	3				
21	PX-8611	Housing, Rear (PX-8)	1				
22	PX-1115	Washer, 3/8" Lock	14				
23	PX-8191	Bolt, Fld. Coil Attachment (PX-8)	4				
24	PX-8193	Stud, Rectifier Bracket (PX-8)	3				
25	PX-8212	Bushing, Ins. Stator Term. (PX-8)	3				
26	PX-8805	Washer, Plain Stator Lead (PX-8)	3				
27	PX-8224	Nut, Stator & Diode Lead (PX-8)	9	PennTex 05-01-2014			
28	PX-8867	Diode Assembly (PX-8)	6				
29A	PX-8036A	Heat Sink, Rectifier Left (PX-8)	1				
29B	PX-8036B	Heat Sink, Rectifier Center (PX-8)	1				
29C	PX-8036C	Heat Sink, Rectifier Right (PX-8)	1				
30	PX-8711	Spacer, Rectifier Bracket (PX-8)	3				
31	PX-1098-PKG	Washer, #8 Flat (Package of 25)	3				
32	PX-1113-PKG	Nut, 10-32 Keps (Package of 25)	3				
33	PX-8148	Cover Plate, Rear (PX-8)	1				
34	PX-8039	Insulator, Sleeve Field & Relay Term.	6				
35	PX-8746	Washer, Insulator, Field Term. (PX-8)	3				
36	PX-1103-PKG	Washer, Fld/Rly Term, Shroud (Pkg 10)	9				
37	PX-8326	Nut, Field & Relay Terminal	6				
38	PX-8955	Terminal, Relay (PX-8)	1				
39	PX-8209	Strap, Ground Field Term. (PX-8)	1				
40	PX-8055	Terminal, Insulator, Sleeve (PX-8)	2				
41	PX-8246	Bushing, Insulator, Output Term. (PX-8)	1				
42	PX-8038	Stud, Output Terminal (PX-8)	1				
43	PX-8813	Washer, Insulator, Output Term. (PX-8)	1				



PX-8 BCK Kit Parts ID:  
**BASIC KIT**  
**HARDWARE KIT**  
**INSULATOR & ACCESSORY KIT**  
 (Numbers with no fill are not included)  
 NOTE: This drawing shows a complete PX-833. The parts identified in the 3 kits above make up a PX-8 BCK Kit.

The PX-8 BCK Kit converts 50DN alternators from oil-cooled to air-cooled



(28) (27)  
 -ALL 6 DIODES ARE THE SAME-  
 WHERE THEY MOUNT DETERMINES IF  
 POSITIVE (HEAT SINK) OR NEGATIVE (CASE)

Parts shown here that are not in a PX-8 BCK Kit: 13, 15, 16, 17, 19, 28, 42, 49, 50, 53 & 54.

ALWAYS LOOK FOR THE RAISED PENNTEX LOGO AT THIS LOCATION IN THE CASTING

**Penntex** INDUSTRIES, INC. DATE: 05-01-2014  
 DRAWING BY Dmc Scale: None  
 REVISED BY DATE:  
**PX-833 ALTERNATOR** Drawing  
 Showing PX-8 BCK Kit Parts  
 (Basic Conversion Kit)

**PX-8 BCK (24-VOLT)**

**PARTS LIST**

ALL



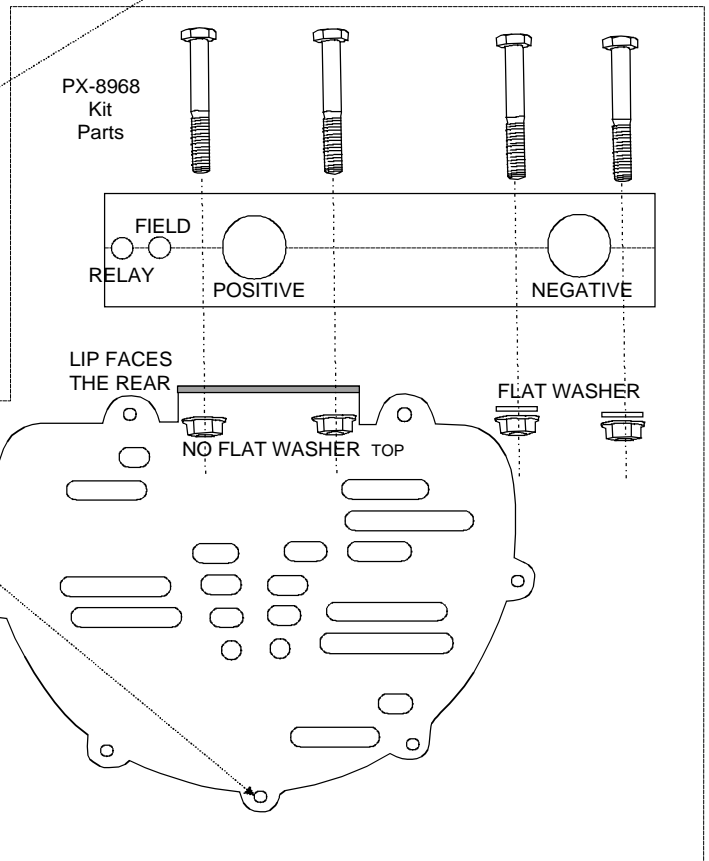
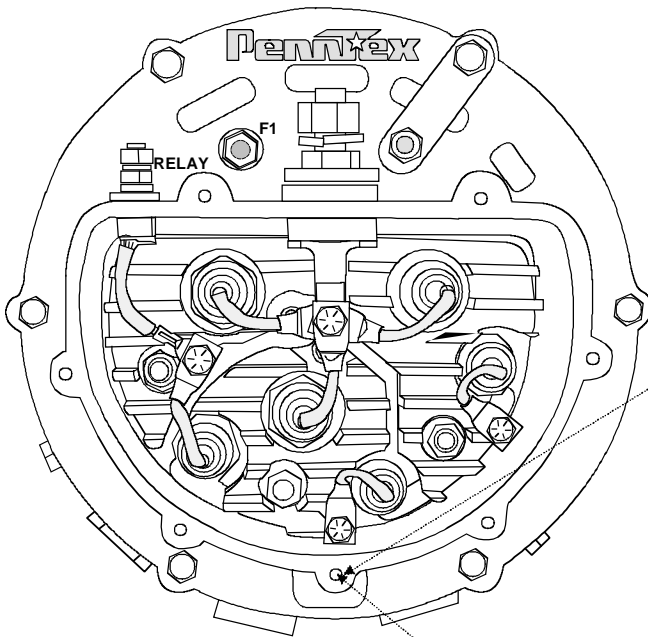
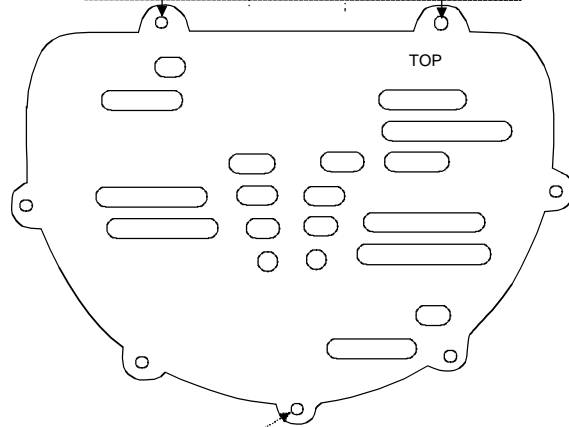
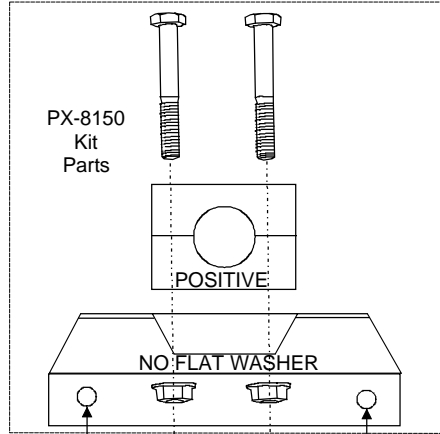
See the list of Authorized PennTex PX-8 BCK Dealers at [www.penntexusa.com/CRDList](http://www.penntexusa.com/CRDList)

No.	Part #	Description	Qty.
<b>Basic PX-8 BCK (Basic Conversion Kit) Parts:</b>			
4	PX-8440	Fan, Cooling (PX8)	1
5	PX-8058	Fan Shroud (PX8)	1
9	PX-8310	Retainer, Outside DE Bearing (PX8)	1
10	PX-8138	Bearing, Outer (PX8)	1
12	PX-8307	Housing, Front (PX8)	1
14	PX-8878	Bearing, Inner DE (PX8)	1
21	PX-8611	Housing, Rear (PX8)	1
29A	PX-8036A	Heat Sink, Rectifier, Left (PX8)	1
29B	PX-8036B	Heat Sink, Rectifier, Center (PX8)	1
29C	PX-8036C	Heat Sink, Rectifier Right (PX8)	1
33	PX-8148	Cover Plate, Rear (PX8)	1
48	PX-8194	Kit, Stator Assembly Plug	1
<b>PX-8995: PX-8 BCK Hardware Kit Parts:</b>			
1	PX-8400	Nut, Rotor Shaft (PX8)	1
2	PX-8261	Washer, Rotor Shaft Nut (PX8)	1
6	PX-8423	Washer, DE Frame Screw Lock	35
7	PX-8336	Bolt, Attaching, For Shroud/Cover/Etc.	35
8	PX-8263	Screw, Bearing Retainer Plate	12
11	PX-8129	Bolt, Frame Attachment	12
26	PX-8805	Washer, Plain Stator Lead (PX8)	3
32	PX-1113-PKG	Nut, 10-32 Keps	3
36	PX-8125	Washer, Field Terminal (PX8)	9
37	PX-8326	Nut, Field Terminal	6
44	PX-8205	Washer, Plain Output (PX8)	1
45	PX-1252	Washer, 1/2" Split Lock Gr8	2
46	PX-8967	Nut, 5/16" Thick, Jamb, Output Post	1
47	PX-8548	Nut, 1/2" Thick, Output Post, Cable Attaching	1
51	PX-8999	Bolt, Ground (PX8)	1
52	PX-1382-PKG	Washer, Flat 3/8"	1
***	PX-8645	Kit, Oil Line Cap (PX8) *** Not Shown	1
<b>PX-8647: PX-8 BCK Insulator &amp; Accessory Kit</b>			
18	PX-8249	Bushing, Field Terminal Insulator (PX8)	3
20	PX-8051	Washer, Insulator, Stator Terminal (PX8)	3
24	PX-8193	Stud, Rectifier Bracket (PX8)	3
25	PX-8212	Bushing, Ins. Stator Term. (PX8)	3
27	PX-8224	Nut, Stator & Diode Lead (PX8)	9
30	PX-8711	Spacer, Rectifier Bracket (PX8)	3
31	PX-1098-PKG	Washer, #8 Flat	3
34	PX-8039	Insulator, Sleeve, Field&Relay Terminal	6
35	PX-8746	Washer, Insulator, Field Terminal (PX8)	3
38	PX-8955	Terminal, Relay (PX8)	1
39	PX-8209	Strap, Ground, Field Terminal (PX8)	1

No.	Part #	Description	Qty.
40	PX-8055	Terminal, Insulator Sleeve (PX8)	2
41	PX-8246	Bushing, Insulator, Output Terminal (PX8)	1
43	PX-8813	Washer, Insulator, Output Terminal (PX8)	1
All parts in the 3 lists above are included in a PX-8 BCK Kit			
<b>Parts in a PX-833 Air-Cooled Alternator Not Included in a PX-8 BCK Kit:</b>			
13	PX-8056	Spacer, Bearing (PX8)	1
15	PX-8060	Retainer, Inner DE Bearing (PX8)	1
16	PX-8315	Rotor, 24-Volt (PX8)	1
17	PX-8614	Coil Assembly, Field (PX8)	1
19	PX-8568	Stator, 24-Volt 330A (PX8)	1
28	PX-8867	Diode Assembly (PX8)	6
42	PX-8038	Stud, Output Terminal (PX8)	1
<b>Other Parts For a PX-833 or PX-8 BCK Kit:</b>			
49	PX-8150	Kit, Cable Support (Positive cable only)	1
50	PX-8968	Kit, Positive & Negative Cable Support	1
(# 49 & 50 are both cable support kits-use one or the other)			
<b>Parts Not Included in a Standard Kit or a BCK Kit:</b>			
53	PX-8250	Pulley, K10, 4" O.D. (PX8)	1
54	PX-8251	Pulley, K8, 3.75" O.D. (PX8)	1
A 24-Volt PX-833 Alternator uses the existing Voltage Regulator and Harness on the vehicle.			
<b>PX-8 Series Part Numbers:</b>			
	<b>PX-833</b>	Complete 24-Volt Air-Cooled 50DN Upgrade	
	<b>PX-8 BCK</b>	Complete parts kit to convert an oil-cooled 50DN to a 24-Volt Air-Cooled alternator	
NOTE: Part numbers ending with "PKG" are only available as packages or multiples. The "Qty." or Quantity number indicates how many individual parts come in the kits.			
<b>Contact us:</b>		Phone Toll Free: 877-590-7366	
		Phone: 817-590-2818	
		Sales Fax: 817-590-0505	
		Tech Fax: 817-590-0398	
		<a href="mailto:sales@penntexusa.com">sales@penntexusa.com</a>	
		<a href="mailto:tech@penntexusa.com">tech@penntexusa.com</a>	
		<a href="http://www.penntexusa.com">www.penntexusa.com</a>	
PennTex 05-01-2014			

Cable Support Clamp Kit for  
PX-833 Alternator or 50DN  
rebuilt with PennTex PX-8 BCK  
oil-to-air conversion kit.  
Contact PennTex: 877-590-7366  
sales@penntexusa.com  
tech@penntexusa.com  
www.penntexusa.com

## PX-8150



## PX-8968