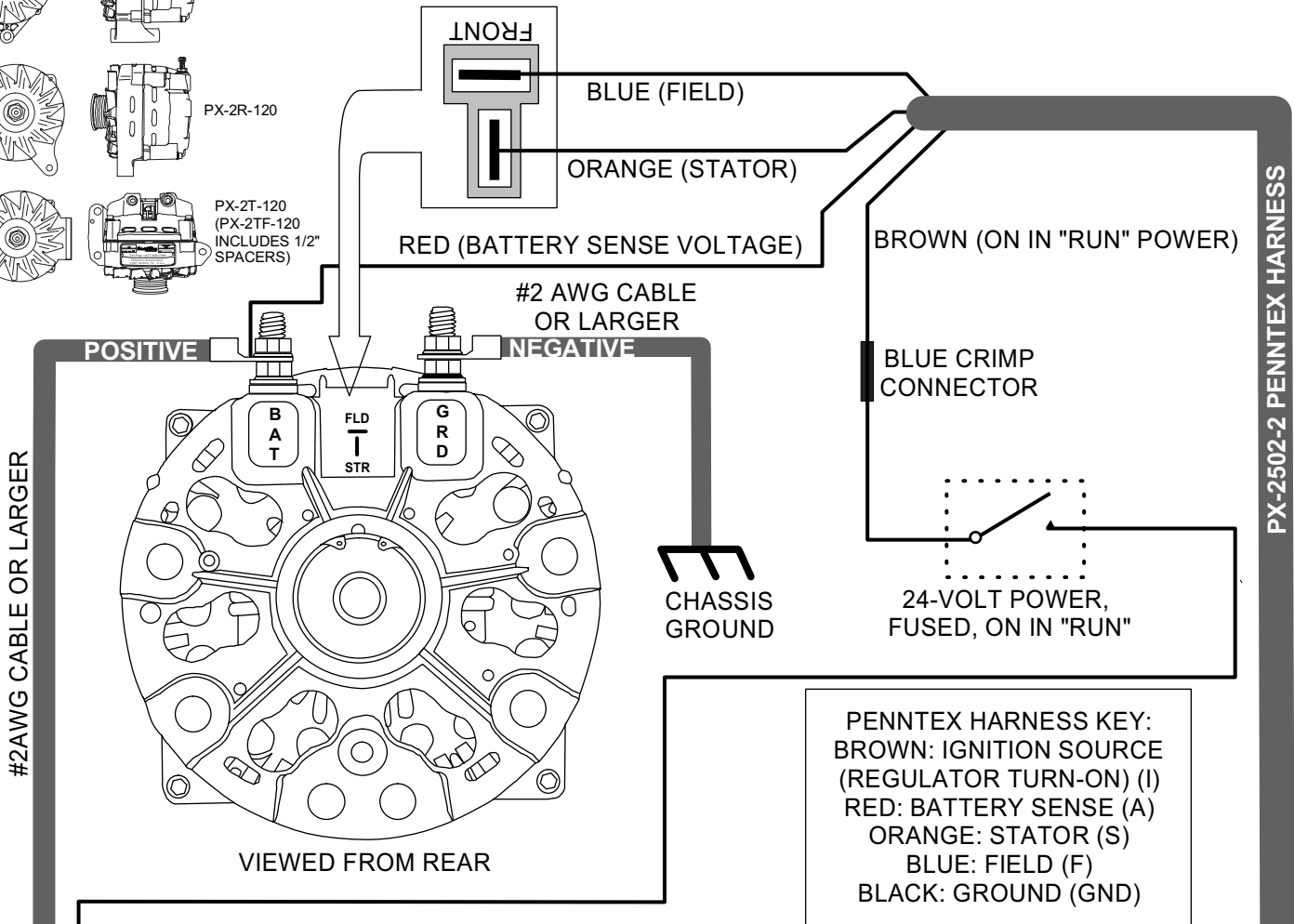
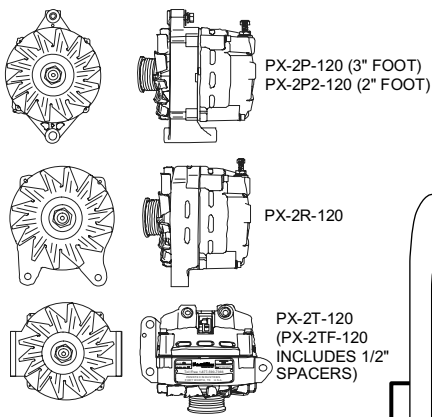
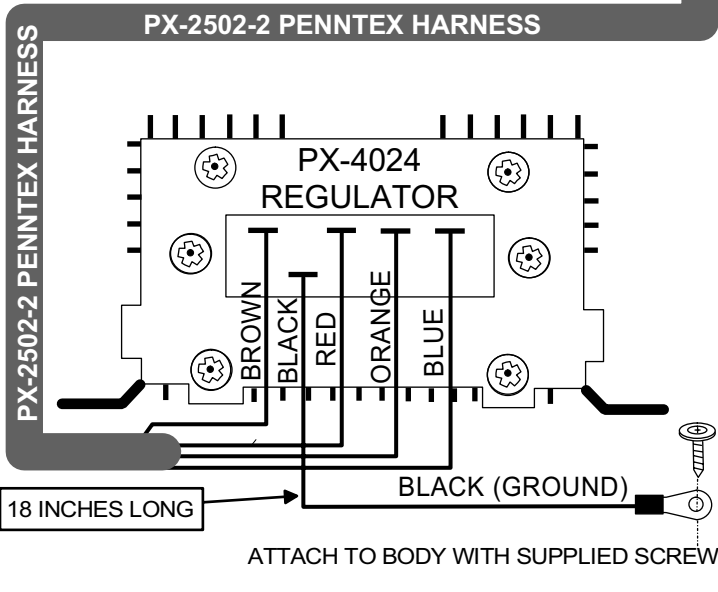


**PX-212 (120-AMP)
24-VOLT SYSTEM**

**OVERHEAD VIEW OF
BRUSH HOLDER
CONNECTOR**



PENNTEX HARNESS KEY:
 BROWN: IGNITION SOURCE (REGULATOR TURN-ON) (I)
 RED: BATTERY SENSE (A)
 ORANGE: STATOR (S)
 BLUE: FIELD (F)
 BLACK: GROUND (GND)



NOTES: THIS IS A GENERIC WIRING SCHEMATIC FOR PX-212 ALTERNATORS. THIS DIAGRAM IS NOT SPECIFIC TO ANY CERTAIN MAKE, MODEL, OR ENGINE.
 CHARGING CABLE SIZE: MINIMUM #2 AWG OR LARGER

PennTex
INDUSTRIES, INC.
 FT. WORTH, TX MANCHESTER, PA
 877-590-7366 www.penntexusa.com

TITLE/DESC. GENERIC WIRING DIAGRAM FOR PX-212 KIT (120-AMPS) WITH PX-4024 REGULATOR		
DATE: 05-07-15	DRAWING NUMBER: PD-211	REVISION #
DRAWN BY: DMc	UPDATED BY:	CHECKED BY:
SCALE: NONE		PAGE: 1 OF 1