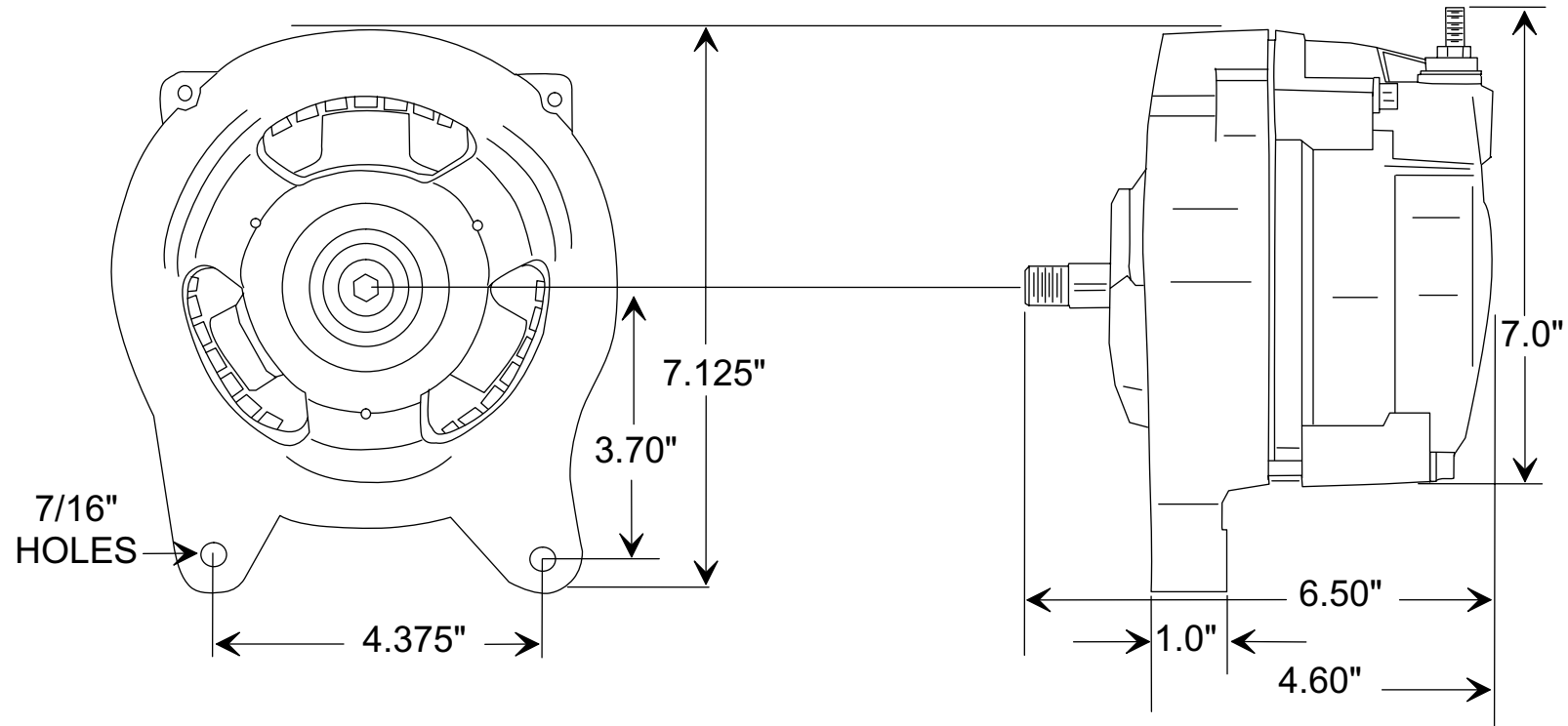


PX-220R-5A



NOTE:

ALL DIMENSIONS ARE LISTED FOR QUICK REFERENCE. CONTACT PENNTEX FOR PRECISE MEASUREMENTS IF REQUIRED FOR BRACKETS OR SPECIAL APPLICATIONS.

PennTex
INDUSTRIES, INC.
DRAWING BY DMc.

DATE: 01-14-2008

Scale: None

**PX-2R-5A ALTERNATOR
FROM PX-220R-5A KIT,
14 VOLT , 200 AMP,
MODULAR MOUNT**