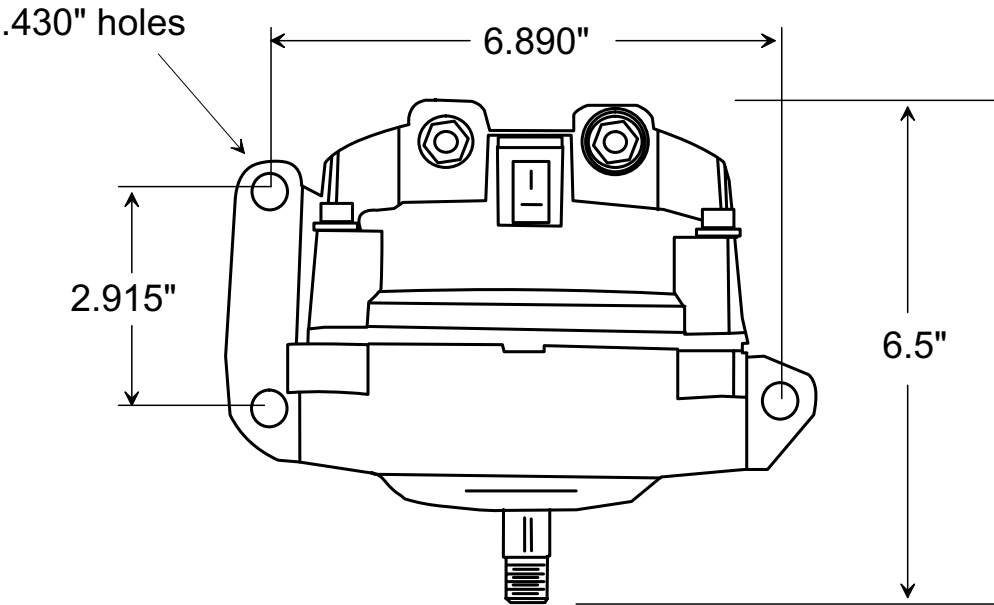
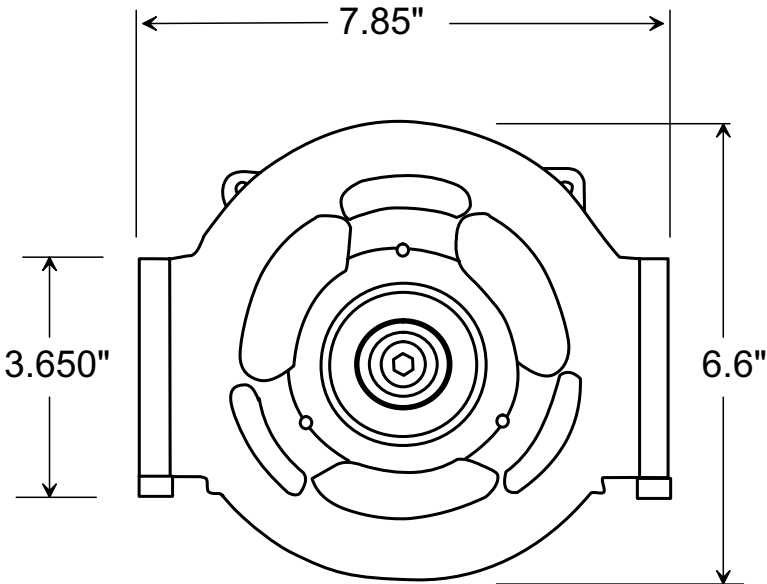


PX-220TF-6.0



PX-220TF-6.0 INCLUDES 3: 1/2" SPACERS
TO RAISE ALTERNATOR UP
AND 3: PX-1329 MOUNTING BOLTS.

NOTE:
ALL DIMENSIONS ARE LISTED FOR
QUICK REFERENCE. CONTACT
PENNTEx FOR PRECISE MEASURE-
MENTS IF REQUIRED FOR BRACKETS
OR SPECIAL APPLICATIONS.

Penntex INDUSTRIES, INC. DATE: 01-07-2008
DRAWING BY DMc. Scale: None

**PX-2TF-6.0 ALTERNATOR
FROM PX-220TF-6.0 KIT,
14 VOLT, 200 AMP,
TANGENT MOUNT**