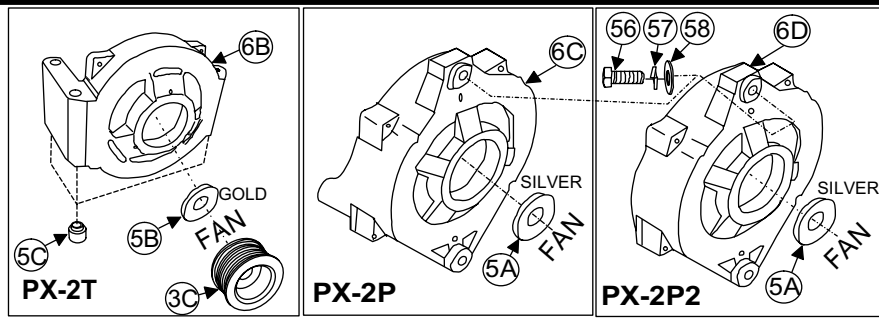


NOTE: PX-220(R,T,P,P2,ETC.) IS THE PART NUMBER FOR A COMPLETE ALTERNATOR, REGULATOR AND HARNESS KIT.

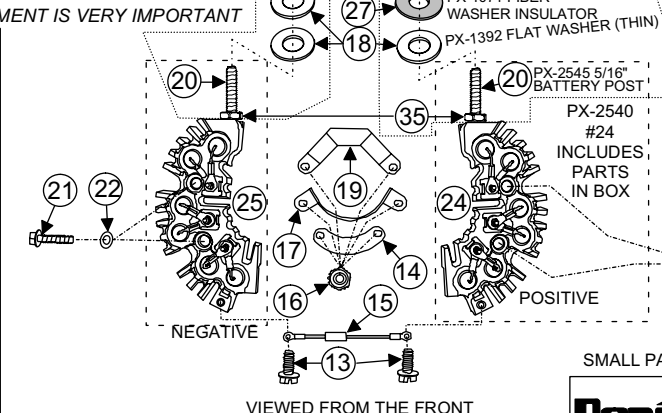
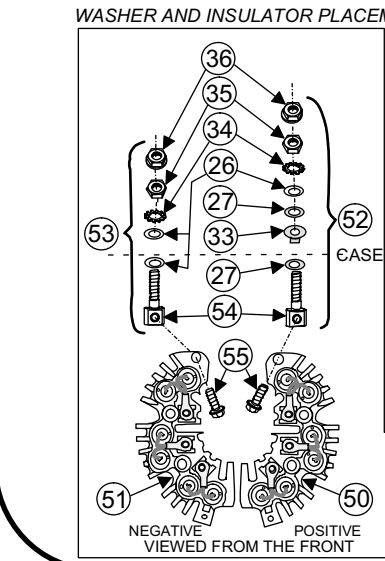
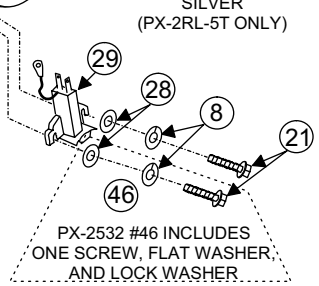
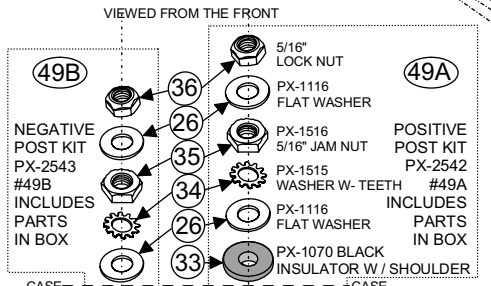
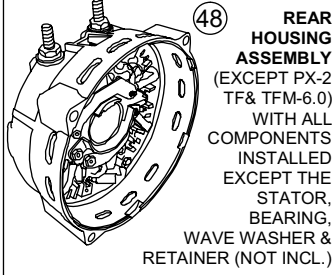
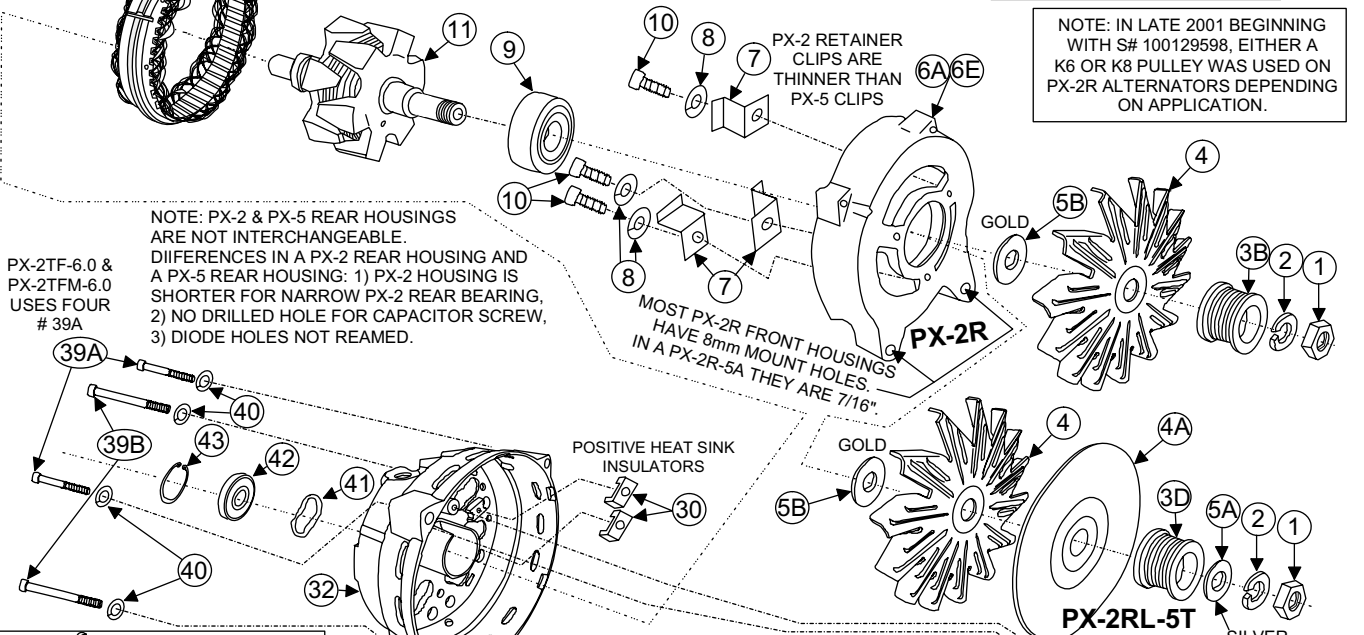
PX-2(R,T,P,P2,ETC.) IS THE ALTERNATOR ONLY PART NUMBER. THIS NUMBERING SYSTEM IS THE SAME WITH ALL MODELS OF PENNTEX KITS AND ALTERNATORS: PX-320/PX-3, PX-420/PX-4, PX-520/PX-5, ETC.



NOTE: IN LATE 2001 BEGINNING WITH S# 100129598, EITHER A K6 OR K8 PULLEY WAS USED ON PX-2R ALTERNATORS DEPENDING ON APPLICATION.

NOTE: PX-2 & PX-5 REAR HOUSINGS ARE NOT INTERCHANGEABLE. DIFFERENCES IN A PX-2 REAR HOUSING AND A PX-5 REAR HOUSING: 1) PX-2 HOUSING IS SHORTER FOR NARROW PX-2 REAR BEARING, 2) NO DRILLED HOLE FOR CAPACITOR SCREW, 3) DIODE HOLES NOT REAMED.

PX-2TF-6.0 & PX-2TFM-6.0 USES FOUR # 39A



BATTERY POST / HEAT SINK DESIGN BEFORE S# 80340165: # 50 & 51 ARE NO LONGER AVAILABLE AND HAVE BEEN SUPERSEDED BY # 24 & 25. THE OLD-STYLE POST KITS # 52 & 53 WILL STILL BE AVAILABLE BUT THEY WILL ONLY WORK WITH # 50 & 51. POST KITS # 49A & 49B MUST ONLY BE USED WITH # 24 & 25.

SMALL PARTS ARE ENLARGED FOR VISIBILITY

**Penntex INDUSTRIES, INC.** DATE: 10-26-2012  
 DRAWING BY DMC Scale: None  
 REVISED BY DATE:

**PX-2 ALTERNATORS**

**PX-2 (12-VOLT)**

**PARTS LIST**

Serial #'s 079916155 to Present



Note: PKG Part #'s are multiples. Quantity (Qty.) is the number of single parts in one alternator.

No.	Part #	Description	Qty.	No.	Part #	Description	Qty.
1	PX-1060-PKG	Nut, SB Rotor (Pkg of 10)	1	23	PX-1049-PKG	Insulator, 8-32 Black w/Shoulder (Pkg 25)	2
2	PX-1059-PKG	Washer, Rotor Lock (Pkg of 10)	1	24	PX-2540	Heat Sink Asm, Positive	1
***	PX-1155	Pulley, 2.3 K7 (PX2P2-5/Dodge)	1	25	PX-2541	Heat Sink Asm, Negative	1
3B	PX-1129	Pulley, 2.3 K6 (PX2R Late 2001-up, P,P2 with shallow center for nut)	1	26	PX-1116-PKG	Washer, 5/16" Flat (Pkg of 15)	6
***	PX-1129-DW	Pulley, 2.3 K6 (PX2P, 2P2 -June 2005 & up- Deep Well or center)	1	27	PX-1071-PKG	Insulator, 5/16" Flat Fiber Washer (Pkg 10)	1
3C	PX-1130	Pulley, 2.3 K8 (PX2R Prior to K6 in 2001, PX2T)	1	28	PX-1098-PKG	Washer, #8 Flat (Pkg 25)	2
3D	PX-1128	Pulley, 2.3 K6 SB (PX2RL5)	1	29	PX-2506	Brush Holder Assembly (PX2)	1
4	PX-1057	Fan, Cooling (PX2)	1	30	PX-1072-PKG	Insulator, White Heat Sink (Pkg 10)	2
4A	PX-2538	Baffle, (Discontinued 05-16-12-Use PX-4522)	1	32	PX-1124	Housing Rear (PX2 exc. 2R5T, RL5T)	1
4A	PX-4522	Baffle, Fan (PX2RL, RL5T)	1	***	PX-1124T	Housing Rear (PX2R5T, RL5T)	1
5A	PX-1058-PKG	Spacer, Fan (Silver) (PX2P, P2, RL5T) (Pkg 10)	1	33	PX-1070-PKG	Insulator, Bat Post, 5/16 Black w/Shldr (Pkg 10)	1
5B	PX-1273-PKG	Spacer, Fan (Gold) (PX2R, RL5T, T) (Pkg 5)	1	34	PX-1515	Washer, 5/16" Ext. Tooth Lock	2
6A	PX-1246	Housing, Frt (PX2R, RL, RL5T-8mm)	1	35	PX-1516	Nut, 5/16x18 Jam	2
6B	PX-1122	Housing, Front (PX2T)	1	36	PX-1106-PKG	Nut, 5/16x18 Steel Lock (Pkg 10)	2
6C	PX-1051	Housing, Front (PX2P)	1	39A	PX-1107-PKG	Screw, 1/4-20x2" SHC (Pkg 15)	2
6D	PX-1123	Housing, Front (PX2P2)	1	39B	PX-1294-PKG	Screw, 1/4-20x3" SHC (Pkg 5)	2
6E	PX-1411	Housing, Front (PX2R5A- 7/16")	1	40	PX-1104-PKG	Washer, 1/4" Lock (Pkg 15)	4
NOTE: PX-2R Front Housing PX-1246 has 8mm mounting holes for mounting in the stock alternator location.				41	PX-1249-PKG	Spring, Wave (PX2/4/5) (Pkg 10)	1
PX-2R Front Housing PX-1411 has 7/16" mounting holes to attach to an aftermarket bracket. They are otherwise the same.				42	PX-1025	Bearing, Rear (PX2)	1
7	PX-1312-PKG	Retainer, Bearing Z Clip (Pkg of 10)	3	43	PX-1366-PKG	Retainer, Bearing C-Ring (Pkg 10)	1
8	PX-1100-PKG	Washer, #10 Lock (Pkg of 25)	5	46	PX-2532	Screw Assembly, Brush Holder	2
9	PX-1074	Bearing, Front	1	47	PX-2533	Screw Assembly, Positive Heat Sink	2
10	PX-1305-PKG	Screw, 10-24x1/2" SHC (Pkg of 10)	3	48	below:	Housing Asm, Rear W/O Stator:	
11	PX-1055	Rotor, 12V (PX2)	1		PX-2522	PX2, All exc. R5T, RL5T, 6.0	1
***	PX-2503-1	Stator, Superseded by PX-2503-5			PX-2522-6.0	PX2TF-6.0, PX2TFM-6.0	1
***	PX-2503-3	Stator, 12V 200A Ext. Rec. (PX2)	1		PX-2600	PX2R5T, PX2RL5T	1
12	PX-2503-5	Stator, 12V 200A (PX2)	1	49A	PX-2542	Post Assembly, Positive For #24	1
13	PX-1096-PKG	Screw, 8-32x3/8" Hex (Pkg of 25)	2	49B	PX-2543	Post Assembly, Negative For #25	1
14	PX-1352	Strap, Small Rectifier (PX2)	1	50	PX-2504	Superseded by PX-2540 (#24)	
15	PX-4511	Capacitor Assembly (PX2)	1	51	PX-2505	Superseded by PX-2541 (#25)	
16	PX-1099-PKG	Nut, 8-32 Keps (Pkg of 25)	6	52	PX-2520	Post Assembly, Positive (Old-Style)	1
17	PX-1351	Strap, Medium Rectifier (PX2)	1	53	PX-2521	Post Assembly, Negative (Old-Style)	1
18	PX-1392	Washer, 5/16" Flat (Thin)	3	54	PX-1065	Battery Post (Old-Style)	2
19	PX-1350	Strap, Large Rectifier (PX2)	1	55	PX-1102	Bolt, Battery Post (Old-Style)	2
20	PX-2545-PKG	Battery Post, 5/16" Square Head (Pkg 5)	2	56	PX-1117	Bolt, 3/8x1-1/4" Grade 5	1
21	PX-1097-PKG	Screw, 8-32x3/4" Hex (Pkg 25)	6	57	PX-1244-PKG	Washer, 3/8" Flat (Pkg of 5)	1
22	PX-1108	Washer, M4 Flat	4	58	PX-1115	Washer, 3/8" Lock	1
				***		Not Shown In Drawing	