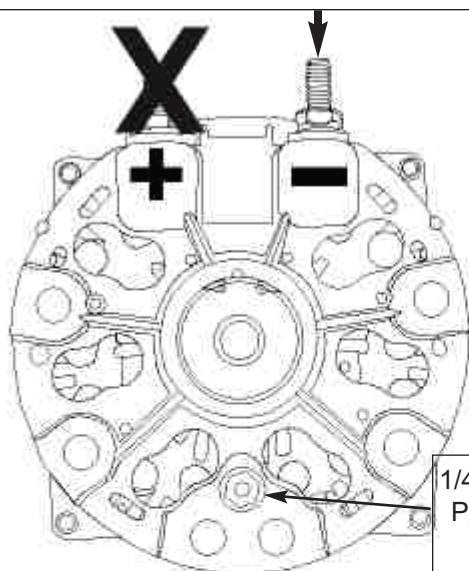




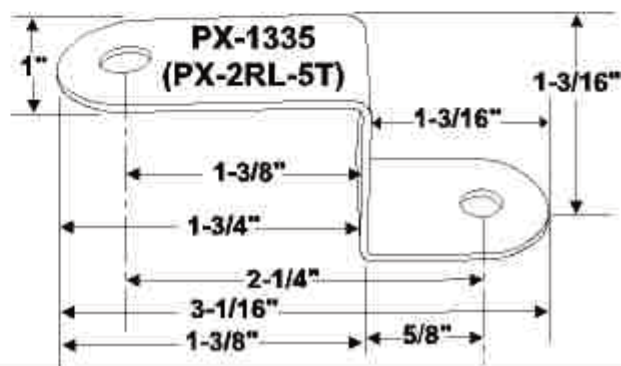
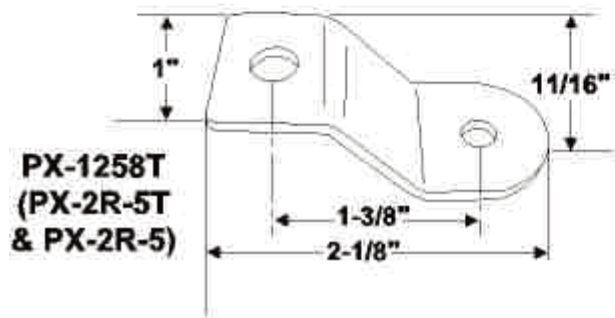
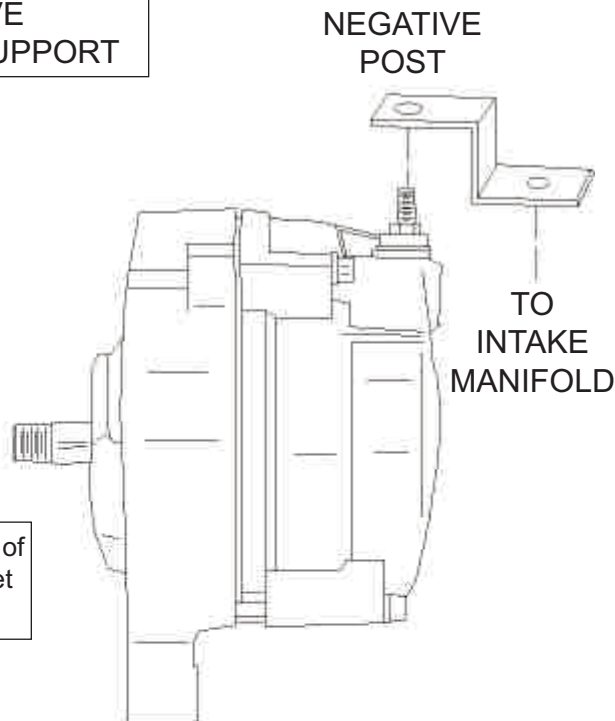
TOP SUPPORT BRACKETS FOR PX-2R PENNTEX ALTERNATORS

If a PX-2 PennTex alternator is mounted in the stock location with two factory 8 mm mounting bolts without additional support, it's only a matter of time before the bolts will loosen or break. Support at the back or top of the alternator reduces vibration. If the bolt in the PX-2R rear housing isn't used, some installations can use a bracket attached to the negative battery post. On some Ford V-8 models, the PX-1258T or the PX-1335 Top Support Brackets can attach between the alternator negative post and an attachment point on the intake manifold. The bracket is not to be used as a primary ground connection to the engine. A properly-sized cable should still be attached between the negative posts of the alternator and battery or batteries. Under no circumstances is a bracket of this type to be used on a PX-5 alternator with two positive output posts.

INSTALL THIS BRACKET TO THE NEGATIVE BATTERY POST AND INTAKE MANIFOLD FOR SUPPORT



1/4" stud in rear of PX-2 for bracket attachment



PERFORMANCE, ENDURANCE AND SATISFACTION



**Manufacturers of
 High Efficiency Alternators and
 Mobile Electronic Devices.**

Corporate:
 202 Plaza Drive
 Manchester, PA 17345
 Ph: 717-266-8762
 Fax: 717-266-7803

Manufacturing/ Sales/ Tech/ Warranty:
 7620 Flagstone Drive
 Fort Worth, TX 76118
 Ph: 817-590-2818
 Toll Free Sales/Tech: 877-590-7366
 Fax: 817-590-0505, Tech Fax: 877-590-0398

www.penntexusa.com
 Email: sales@penntexusa.com
tech@penntexusa.com