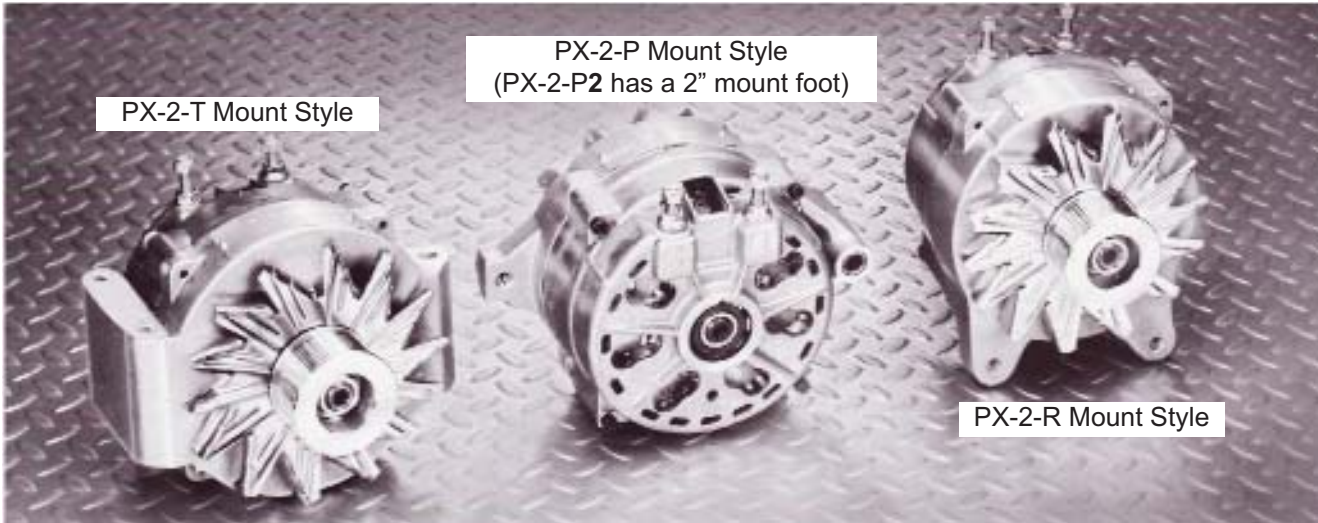


HIGH AMPERAGE / HEAVY DUTY ALTERNATORS / CHARGING SYSTEMS



PX-2-T Mount Style

PX-2-P Mount Style
(PX-2-P2 has a 2" mount foot)

PX-2-R Mount Style

APPLICATIONS

- Buses and all other vehicles that require high amperage output.
- See Application Guide or contact PennTex for availability for a specific application.
- Also see our PX-5 Series Charging Systems.

OPTIONS

- Some 2009-up Ford applications use a PX-7000 Voltage Regulator with these alternators.
- PX-2 Series 24-volt systems are also available.

Depending on the application, the PennTex Charging System could use either a PX-5000 or PX-7000 Voltage Regulator. The PX-7000 Regulator is used in certain 2009-Up Ford PCM Controlled systems.



PX-5000 Voltage Regulator



PX-7000 Voltage Regulator

NOTE: Most PX-2 "R"-style mount alternators have two 8mm mount holes in the front housing. The PX-2R-5A alternator has two 7/16" mounting holes so it can be attached to aftermarket bracketry. The alternator with the "R"-style mount is on the far right in the photo.

WARRANTY

PENNTEx INDUSTRIES, INC. STANDARD WARRANTY IS EIGHTEEN (18) MONTHS OR 75,000 MILES – WHICHEVER OCCURS FIRST, WHEN INSTALLED ON A NEW OEM VEHICLE. AFTERMARKET INSTALLATIONS HAVE A WARRANTY OF TWELVE (12) MONTHS/UNLIMITED MILES.

200/170 AMPS		
MODEL PX-220-5 TESTED & PROVEN		
ROTOR RPM	AMPS @ 13.5 VOLTS	
	COLD (SAE)	HOT (200°F)
1800	70	60
2000	95	80
2250	115	95
2500	135	115
2750	145	120
3000	155	130
3500	170	140
4000	175	145
4500	180	150
5000	185	155
5500	190	160
6000	200	170

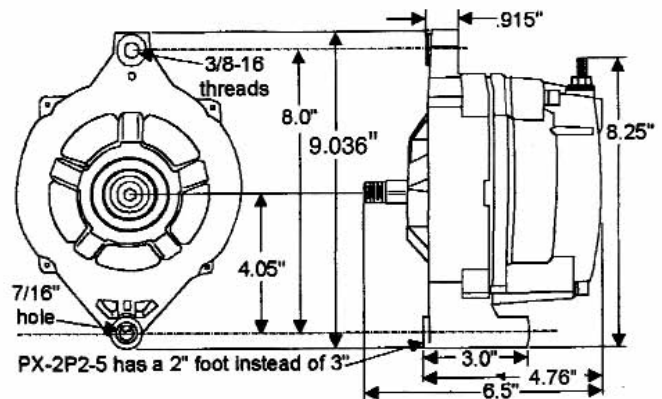


Dimensions

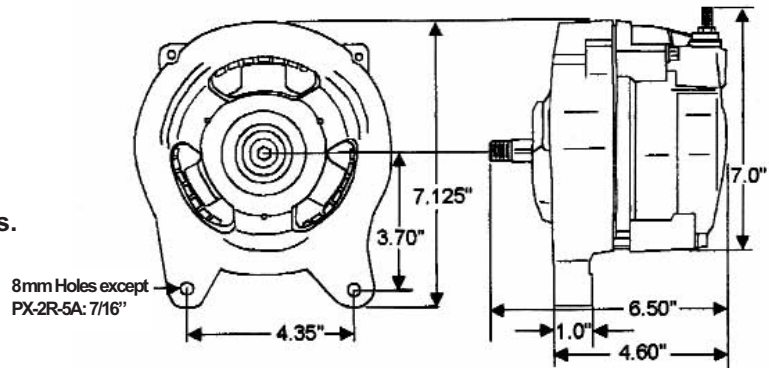
Special Features

- 1) 5/16" ground & battery post.
- 2) Heavy duty hand wound high output stator.
- 3) Heavy duty long life brushes.
- 4) Heavy duty dual plain balanced rotor.
- 5) Heat sinks designed for efficient cooling.
- 6) Heavy duty bearings with high temperature seals and grease.
- 7) Twelve (12) press fit 60 amp diodes.
- 8) Specially designed heavy duty 12-volt regulator which produces higher output ratings; runs cooler than current industry standards.
- 9) Regulator has ground fault and high voltage protection.
- 10) GXL wire is standard in all harnesses.
- 11) Standard O.E.M. belt can be used in most applications.
- 12) Standard O.E.M. mounting in some applications - no bracket required.
Check with PennTex Industries for specifics.
- 11) Weight: Approximately 20 pounds.

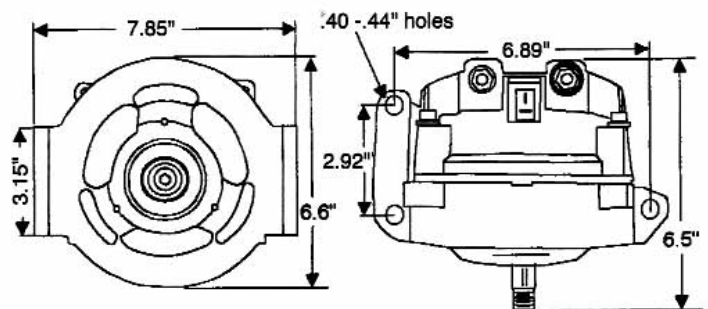
PX-2P-5



PX-2R-5



PX-2T-5



ALL DIMENSIONS ARE LISTED FOR QUICK REFERENCE. CONTACT PENNTEX FOR PRECISE MEASUREMENTS IF REQUIRED FOR BRACKETS OR SPECIAL APPLICATIONS.

PennTex Industries recommends using a minimum of 2 gauge battery and ground cable. For maximum performance route 2 gauge battery cable or larger from the alternator battery post directly to the battery positive stud. The ground cable from the alternator should also be a minimum of 2 gauge cable and should be bolted directly to a chassis ground or the negative side of the battery.

PERFORMANCE ENDURANCE AND SATISFACTION

PennTex
INDUSTRIES, INC.

Manufacturers of

High Efficiency Alternators and
Mobile Electronic Devices.

Corporate:
202 Plaza Drive
Manchester, PA 17345
Ph: 717-266-8762
Fax: 717-266-7803

Manufacturing/ Sales/ Tech/ Warranty:
7620 Flagstone Drive
Fort Worth, TX 76118
Ph: 817-590-2818, Toll Free: 877-590-7366
Fax: 817-590-0505, Tech Fax: 817-590-0398

www.penntexusa.com
email: sales@penntexusa.com
tech@penntexusa.com