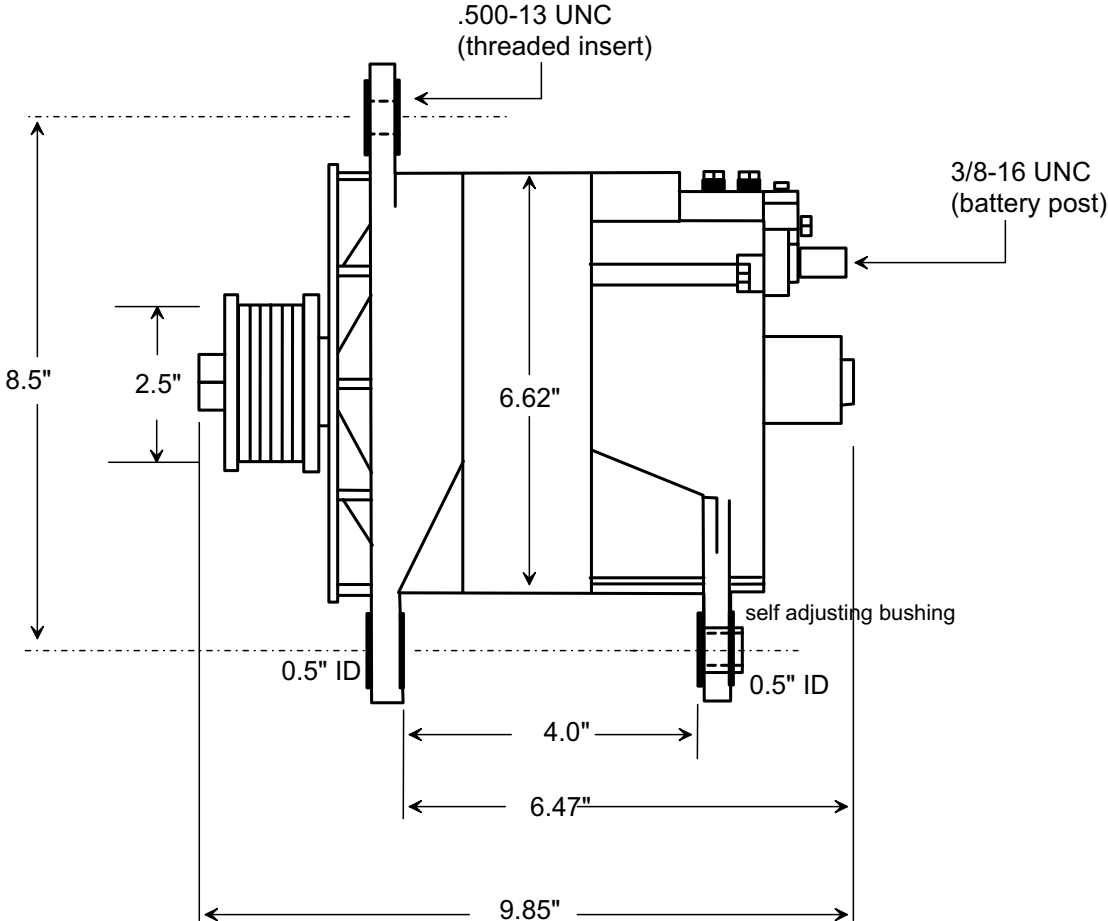


PX-325S



Penntex
INDUSTRIES, INC.
7620 Flagstone Drive
Ft. Worth, TX 76118
Ph: 877-590-7366 Fax: 817-590-0505
www.penntexusa.com sales@penntexusa.com

NOTE:
ALL DIMENSIONS ARE LISTED FOR QUICK REFERENCE. CONTACT PENNTEX FOR PRECISE MEASUREMENTS IF REQUIRED FOR BRACKETS OR SPECIAL APPLICATIONS.

Penntex DATE: 11-19-2009
INDUSTRIES, INC. Scale: None
DRAWING BY DMc.
PX-3S-250 ALTERNATOR FROM PX-325S KIT, 14 VOLT, 250 AMP, J-180 MOUNT