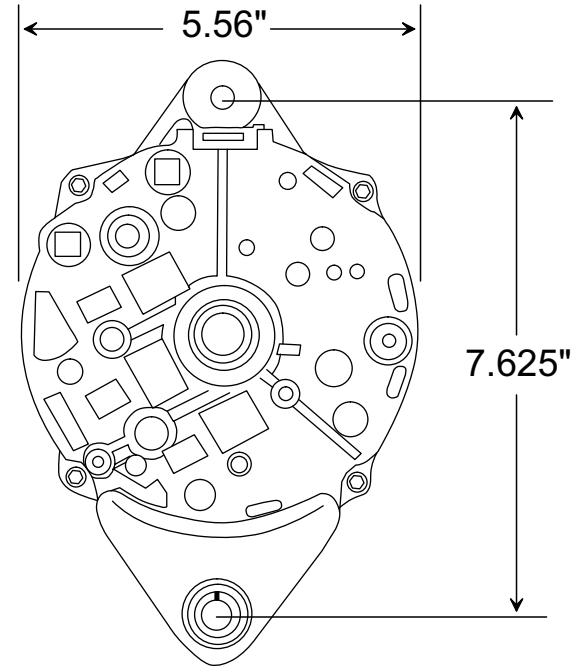
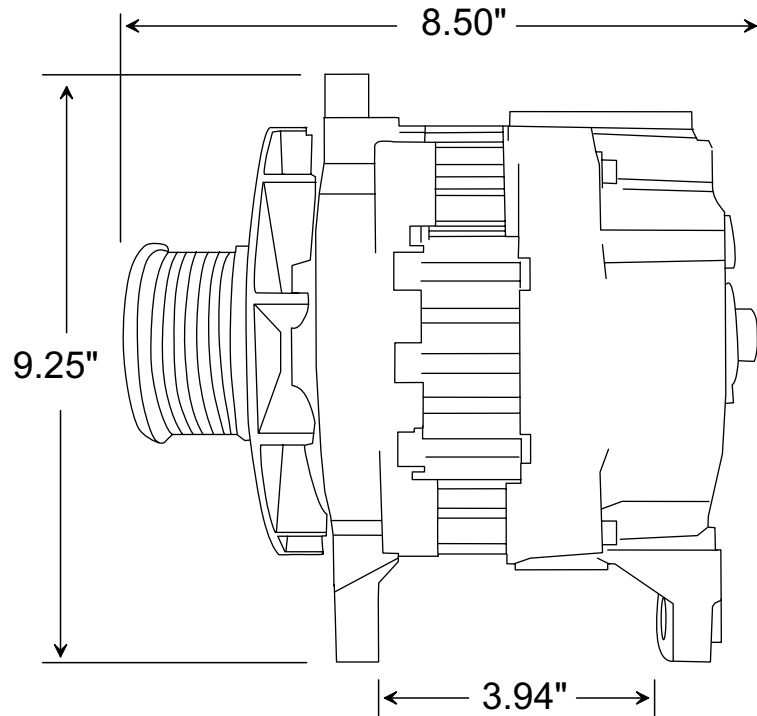


PX-412JM



NOTE:

ALL DIMENSIONS ARE LISTED FOR QUICK REFERENCE. CONTACT PENNTEX FOR PRECISE MEASUREMENTS IF REQUIRED FOR BRACKETS OR SPECIAL APPLICATIONS.

PennTex
INDUSTRIES, INC.
DRAWING BY DMc.

DATE: 01-07-2008

Scale: None

PX-412JM
ALTERNATOR, 120 AMP,
24 VOLT, J-180 MOUNT