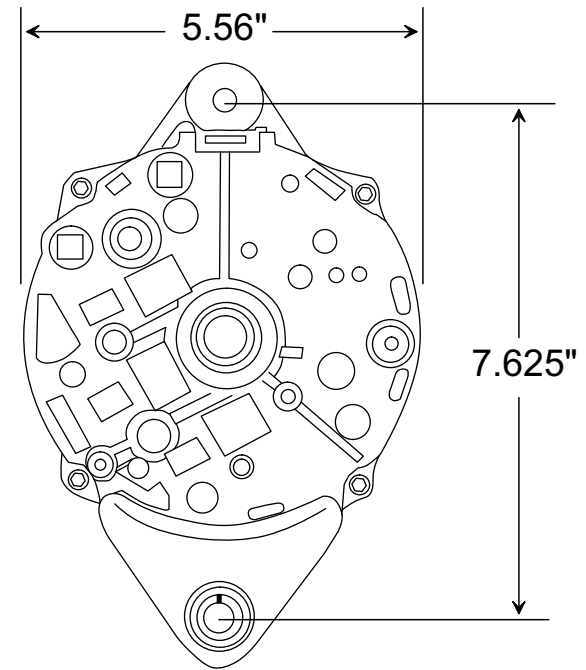
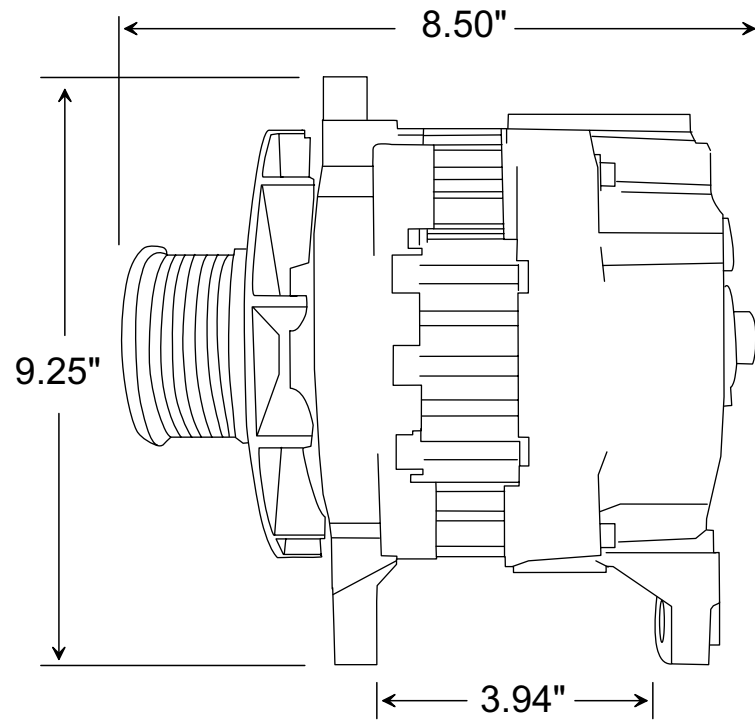


PX-421JM



NOTE:

ALL DIMENSIONS ARE LISTED FOR QUICK REFERENCE. CONTACT PENNTEX FOR PRECISE MEASUREMENTS IF REQUIRED FOR BRACKETS OR SPECIAL APPLICATIONS.

PennTex
INDUSTRIES, INC.
DRAWING BY

DATE: 01-14-2008

Scale: None

**PX-4JM ALTERNATOR
FROM PX-421JM KIT,
12 VOLT, 210 AMP,
J-180 MOUNT**