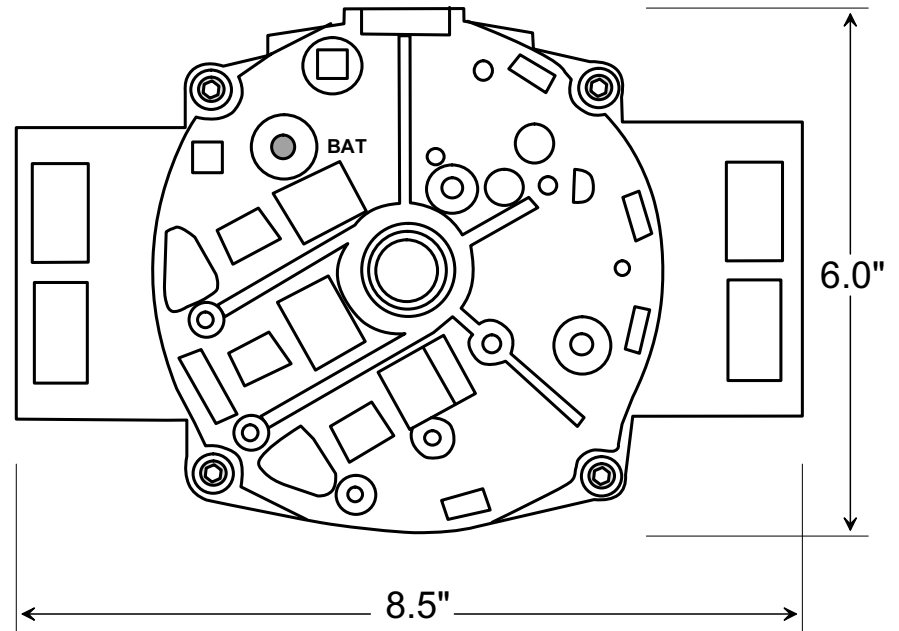
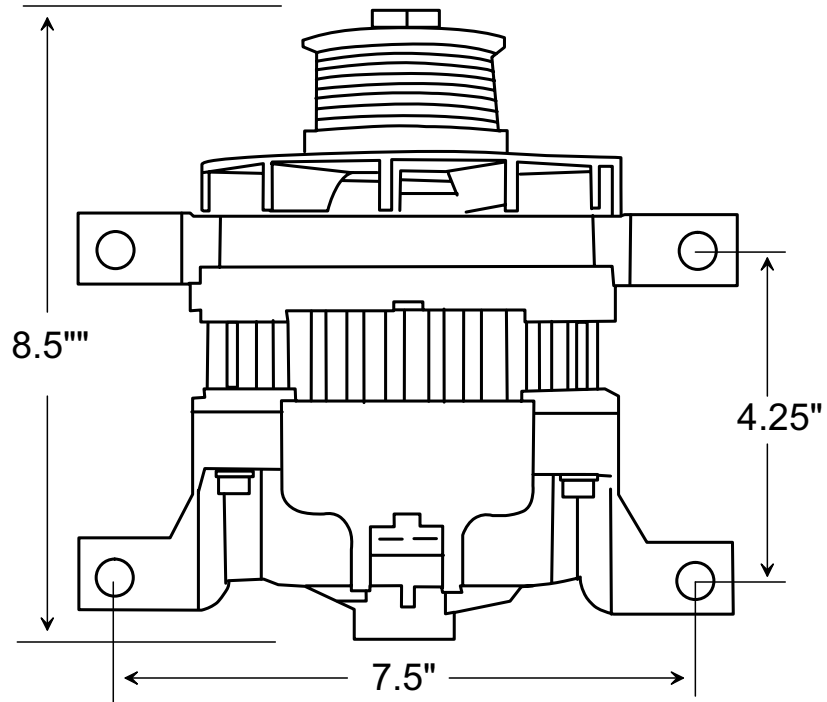


PX-421PM



NOTE:

ALL DIMENSIONS ARE LISTED FOR QUICK REFERENCE. CONTACT PENNTEX FOR PRECISE MEASUREMENTS IF REQUIRED FOR BRACKETS OR SPECIAL APPLICATIONS.

PennTex
INDUSTRIES, INC.
DRAWING BY DMc

DATE: 09-09-2009

Scale: None

**PX-4PM ALTERNATOR
FROM PX-421PM KIT,
14 VOLT, 210 AMP,
PAD MOUNT**