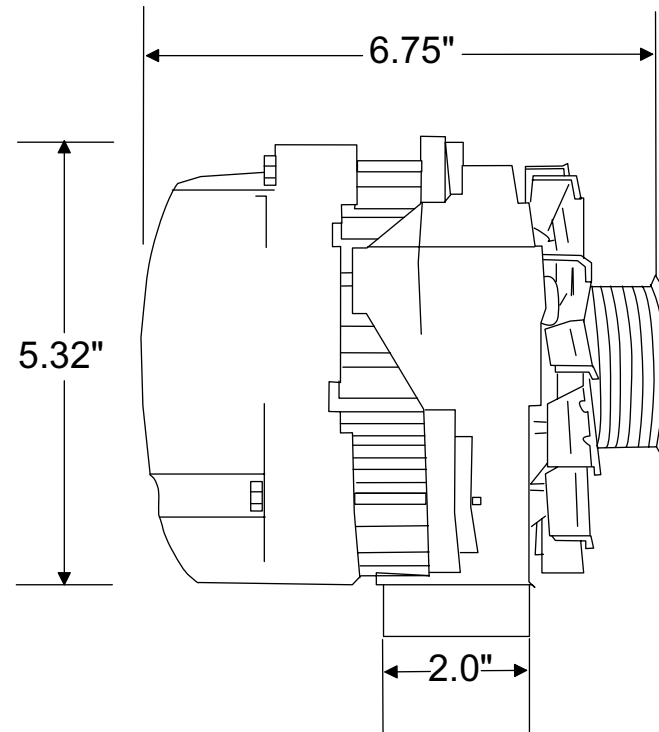
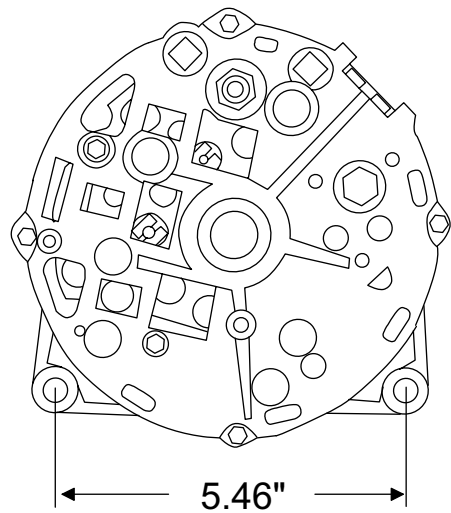


# PX-421V



**NOTE:**

ALL DIMENSIONS ARE LISTED FOR QUICK REFERENCE. CONTACT PENNTEX FOR PRECISE MEASUREMENTS IF REQUIRED FOR BRACKETS OR SPECIAL APPLICATIONS.

**PennTex**  
INDUSTRIES, INC.  
DRAWING BY

DATE: 08-03-2008

Scale: None

**PX-4V-210 ALTERNATOR  
FROM PX-421V KIT,  
14 VOLT, 210 AMP  
VORTEC MOUNT**