



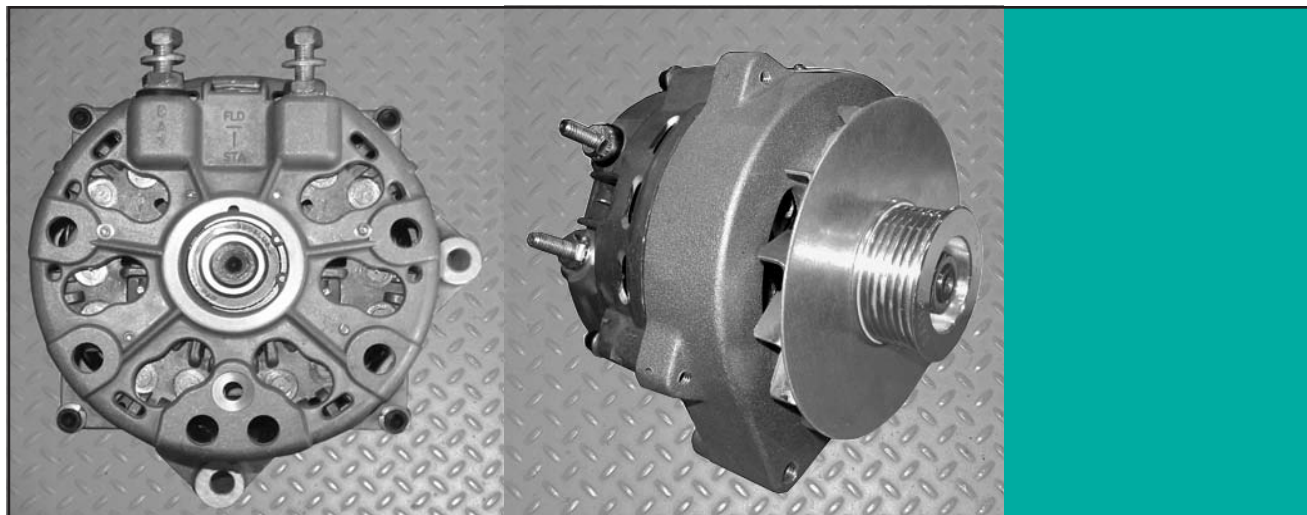
# PennTex INDUSTRIES, INC.

MODEL

# PX-4G-5 Series 12-volt 200 amps

NOTE: In a lot of applications this alternator has been superseded by the PX-4V-220 Series

## HIGH AMPERAGE / HEAVY DUTY ALTERNATORS / CHARGING SYSTEMS



### 200/170 AMPS

#### MODEL PX-420-5 TESTED & PROVEN

ROTOR RPM	AMPS @ 13.5 VOLTS	
	COLD (SAE)	HOT (200°F)
1800	70	60
2000	95	80
2250	115	95
2500	135	115
2750	145	120
3000	155	130
3500	170	140
4000	175	145
4500	180	150
5000	185	155
5500	190	160
6000	200	170

PennTex  
PX-5000  
Voltage  
Regulator



### WARRANTY

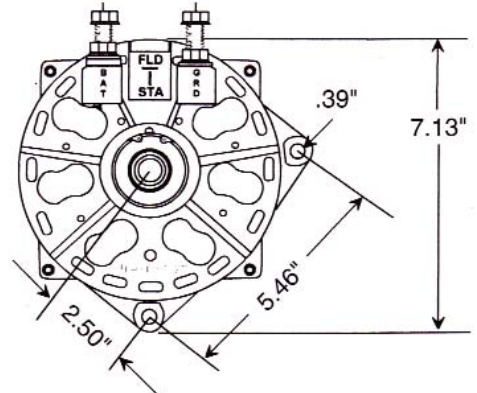
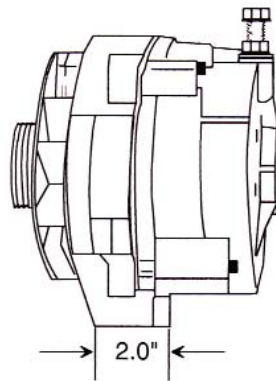
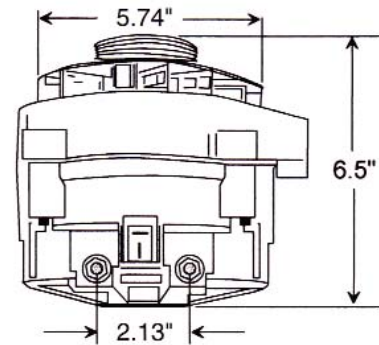
PENNTEx INDUSTRIES, INC. STANDARD WARRANTY IS EIGHTEEN (18) MONTHS OR 75,000 MILES -- WHICHEVER OCCURS FIRST, WHEN INSTALLED ON A NEW OEM VEHICLE. AFTERMARKET INSTALLATIONS HAVE A WARRANTY OF TWELVE (12) MONTHS/UNLIMITED MILES.

### APPLICATIONS

- Buses and all other vehicles that require high amperage output.
- See application guide or contact PennTex for availability of a specific application.
- Also see our PX-4V-220 Series and our PX-5 Series Charging Systems.



## PX-4G-5 Dimensions



ALL DIMENSIONS ARE LISTED FOR QUICK REFERENCE. CONTACT PENNTEX FOR PRECISE MEASUREMENTS IF REQUIRED FOR BRACKETS OR SPECIAL APPLICATIONS.

## Special Features

- 1) 5/16" ground & battery post.
  - 2) Heavy duty hand wound high output stator.
  - 3) Heavy duty long life brushes.
  - 4) Heavy duty long dual plain balanced rotor.
  - 5) Heat sinks designed for efficient cooling.
  - 6) Heavy duty bearings with high temperature seals and grease.
  - 7) Twelve (12) press fit 60 amp diodes.
  - 8) Specially designed heavy duty 12-volt regulator which produces higher output ratings; runs cooler than current industry standards.
  - 9) Regulator has ground fault and high voltage protection.
  - 10) GXL wire is standard in all harnesses.
  - 11) Standard O.E.M. belt can be used in most applications.
  - 12) Standard O.E.M. mounting in some applications - no bracket required.
- Check with PennTex Industries for specifics.
- 11) Weight: Approximately 20 pounds.

**PennTex Industries** recommends using a minimum of 2 gauge battery and ground cable. For maximum performance route 2 gauge battery cable or larger from the alternator battery post directly to the battery positive stud. The ground cable from the alternator should also be a minimum of 2 gauge cable and should be bolted directly to a chassis ground or the negative side of the battery.

### PX-4G-5 Part Numbers:

Alternator Only: PX-4G-5.

Complete Kit: PX-420G-5.

Complete Kit consists of PX-4G-5 alternator with a 2.3 inch K6 pulley, PX-5000 Voltage Regulator and PX-4520 Harness.

Also see our PX-4V-220 Series Alternators.

## PERFORMANCE ENDURANCE AND SATISFACTION

**PennTex**  
INDUSTRIES, INC.

Manufacturers of

High Efficiency Alternators and  
Mobile Electronic Devices.

### Corporate:

202 Plaza Drive  
Manchester, PA 17345  
Ph: 717-266-8762  
Fax: 717-266-7803

### Manufacturing/ Sales/ Tech/ Warranty:

7620 Flagstone Drive  
Fort Worth, TX 76118  
Ph: 817-590-2818  
Toll Free: 877-590-7366  
Fax: 817-590-0505, Tech Fax: 817-590-0398

[www.penntexusa.com](http://www.penntexusa.com)

email: [sales@penntexusa.com](mailto:sales@penntexusa.com)

[tech@penntexusa.com](mailto:tech@penntexusa.com)