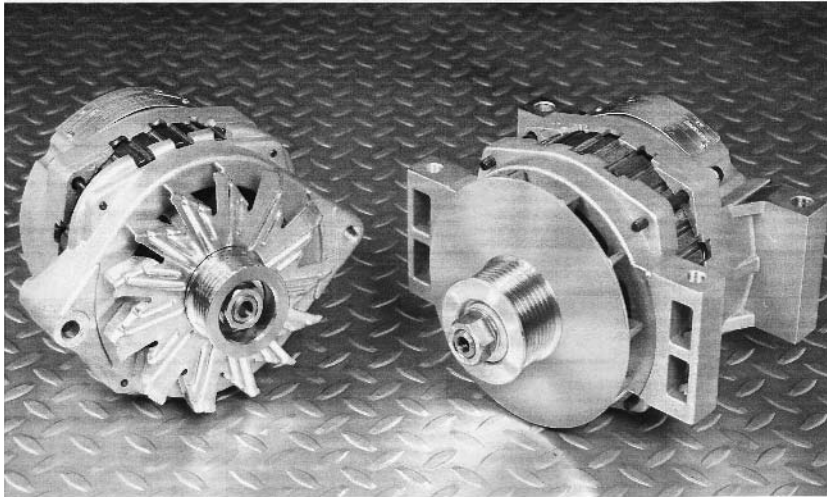
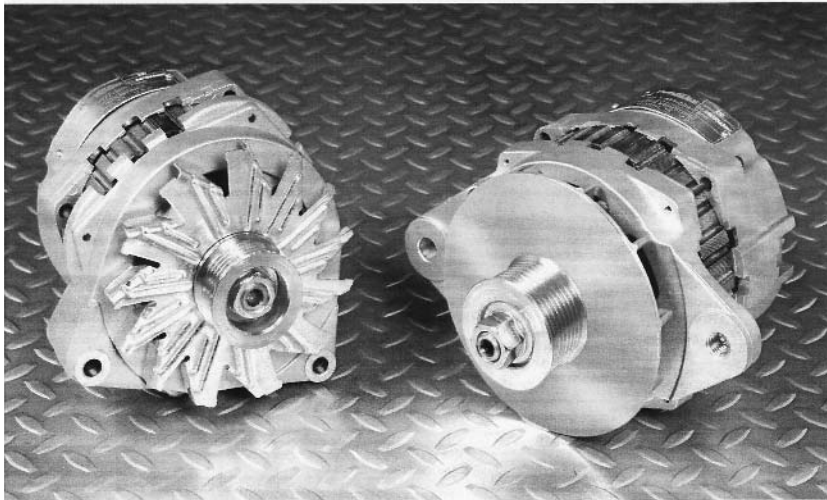


PX-421 Industrial Series

**HIGH AMPERAGE / HEAVY DUTY
ALTERNATORS / CHARGING SYSTEMS**



PX-4000 VOLTAGE REGULATOR



210/170 AMPS

MODEL PX-421 TESTED & PROVEN

ROTOR RPM	AMPS @ 13.5 VOLTS	
	COLD (SAE)	HOT (200°F)
1800	60	50
2000	90	75
2250	115	95
2500	135	110
2750	150	125
3000	165	135
3500	185	150
4000	190	155
4500	195	160
5000	200	165
5500	210	175
6000	215	180

APPLICATIONS

- Industrial type applications that require high amperage output.
- See Application Guide or contact PennTex for specific applications. Other case styles available.
- Note: Most OEM truck applications have been superseded by the PX-422V Series.

OPTIONS

- 24-volt models are available.
- Contact PennTex for more information.

WARRANTY

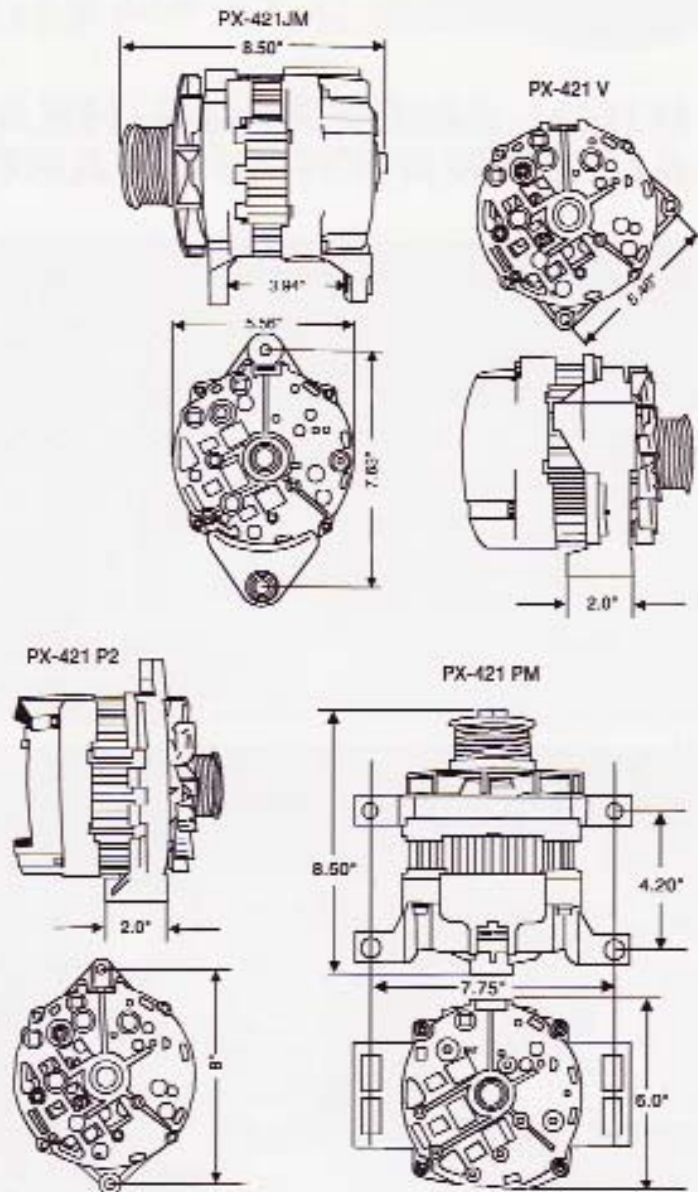
PENNTEx INDUSTRIES, INC. STANDARD WARRANTY IS EIGHTEEN (18) MONTHS OR 75,000 MILES -- WHICHEVER OCCURS FIRST, WHEN INSTALLED ON A NEW OEM VEHICLE. AFTERMARKET INSTALLATIONS HAVE A WARRANTY OF TWELVE (12) MONTHS/UNLIMITED MILES.

Special Features

- 1) 5/16" battery post.
- 2) Heavy duty hand wound high output stator.
- 3) Heavy duty dual plane balanced rotor.
- 4) Heavy duty long life brushes.
- 5) Heavy duty bearings with high temperature seals and grease.
- 6) Fifteen (15) press fit 60 amp diodes.
- 7) Specially designed heavy duty regulator that produces higher output ratings; runs cooler than current industry standards.
- 8) Regulator has ground fault and high voltage protection.
- 9) GXL wire is standard in all harnesses.
- 10) Weight: Approximately 18 pounds.

PennTex Industries recommends using a minimum of 2 gauge battery and ground cable. For maximum performance route 2 gauge battery cable or larger from the alternator battery post directly to the battery positive stud. The ground cable from the alternator should also be a minimum of 2 gauge cable and should be bolted directly to a chassis ground or the negative side of the battery.

DIMENSIONS



ALL DIMENSIONS ARE LISTED FOR QUICK REFERENCE. CONTACT PENNTEX FOR PRECISE MEASUREMENTS IF REQUIRED FOR BRACKETS OR SPECIAL APPLICATIONS.

PERFORMANCE ENDURANCE AND SATISFACTION

PennTex
INDUSTRIES, INC.

Manufacturers of
High Efficiency Alternators and
Mobile Electronic Devices.

Corporate:
202 Plaza Drive
Manchester, PA 17345
Ph: 717-266-8762
Fax: 717-266-7803

Manufacturing/ Sales/ Tech/ Warranty:
7620 Flagstone Drive
Fort Worth, TX 76118
Ph: 817-590-2818
Toll Free: 877-590-7366
Fax: 817-590-0505, Tech Fax: 817-590-0398

www.penntexusa.com
Email: sales@penntexusa.com
tech@penntexusa.com