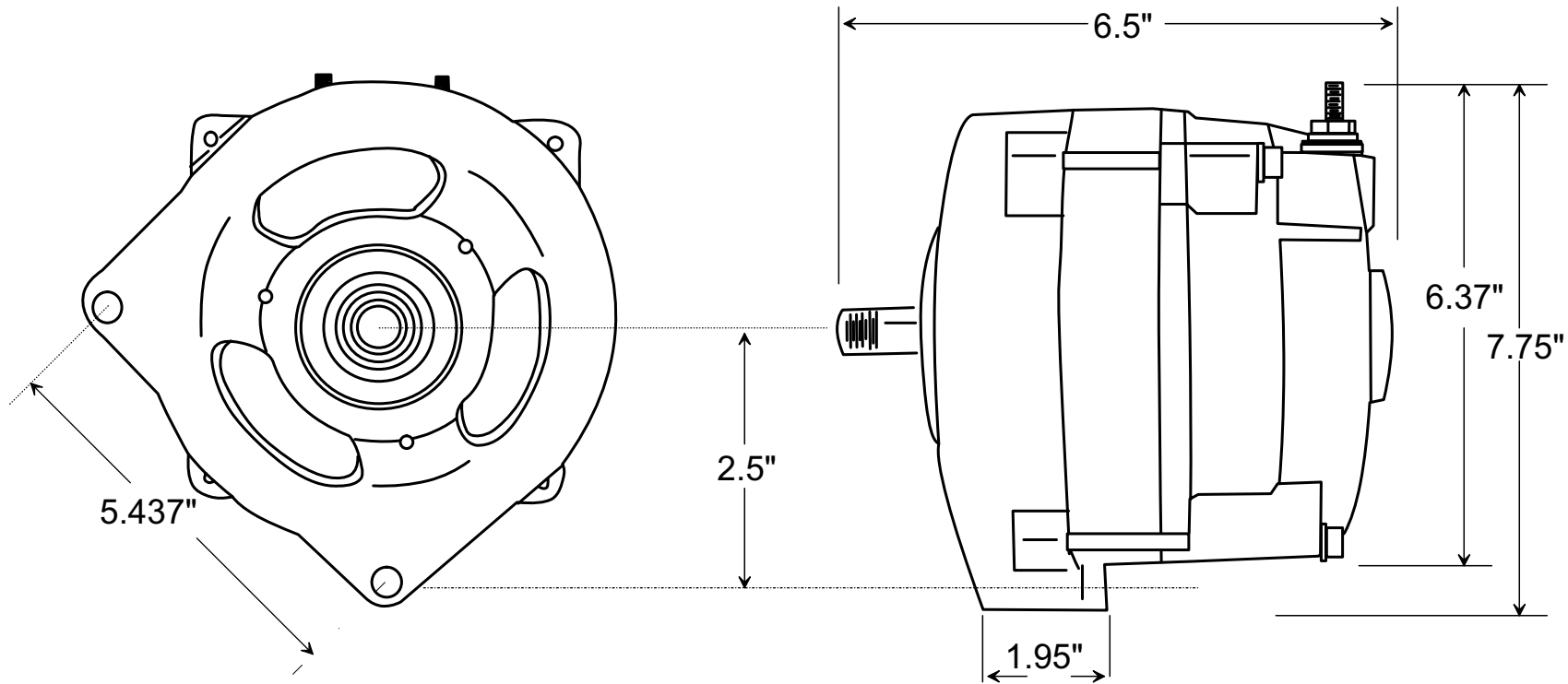


# PX-520GD



**NOTE:**

ALL DIMENSIONS ARE LISTED FOR QUICK REFERENCE. CONTACT PENNTEX FOR PRECISE MEASUREMENTS IF REQUIRED FOR BRACKETS OR SPECIAL APPLICATIONS.

**PennTex**  
INDUSTRIES, INC.  
DRAWING BY

DATE: 01-09-2008

Scale: None

**PX-5GD-200 ALTERNATOR  
FROM PX-520GD KIT,  
12 VOLT, 200 AMP,  
3" VORTEC MOUNT**