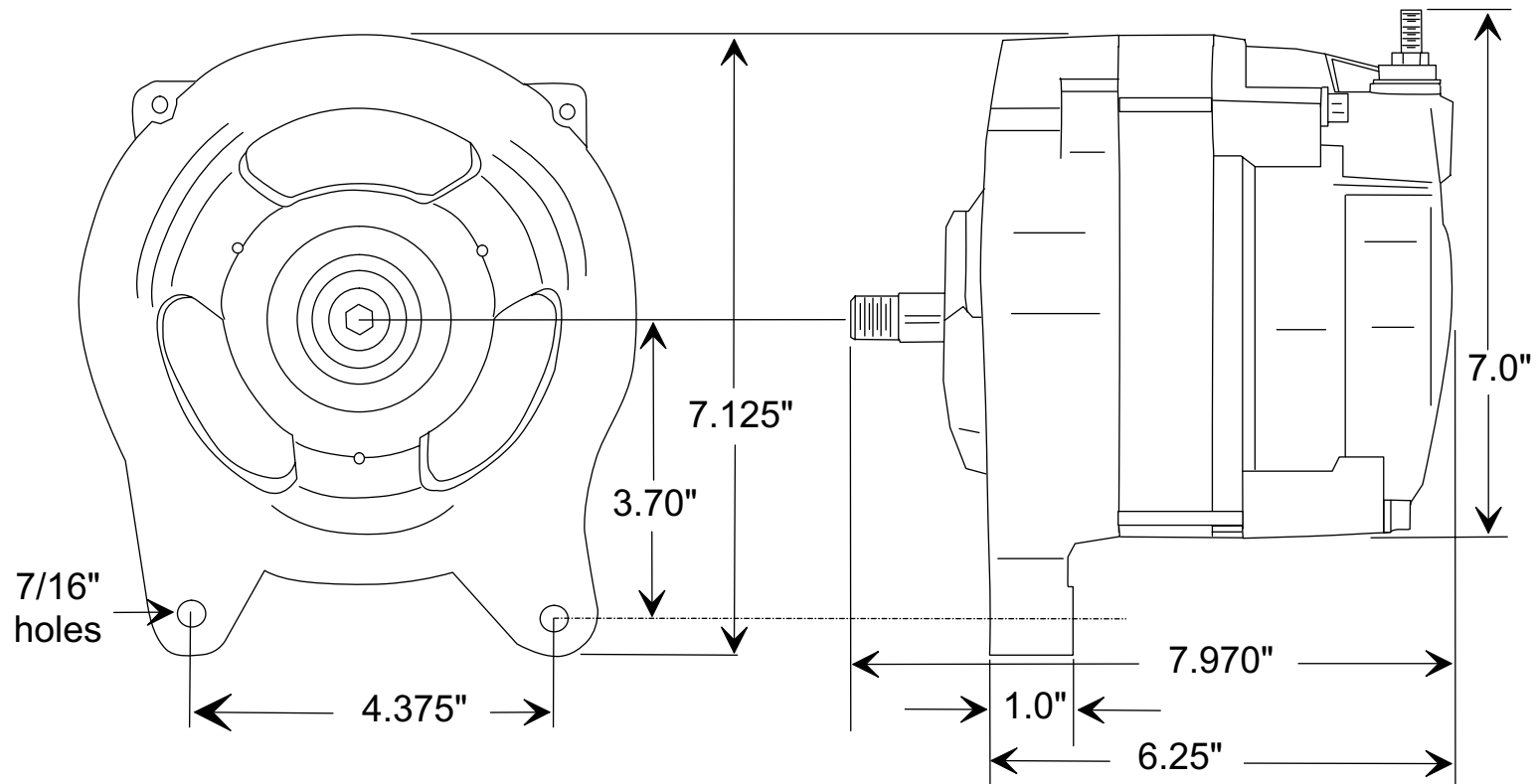


# PX-520RD



**NOTE:**

ALL DIMENSIONS ARE LISTED FOR QUICK REFERENCE. CONTACT PENNTEX FOR PRECISE MEASUREMENTS IF REQUIRED FOR BRACKETS OR SPECIAL APPLICATIONS.

**PennTex**  
INDUSTRIES, INC.  
DRAWING BY DMc

DATE: 12-28-2009

Scale: None

**PX-5RD-230 ALTERNATOR  
FROM PX-520RD KIT,  
14 VOLT, 230 AMP,  
MODULAR MOUNT**