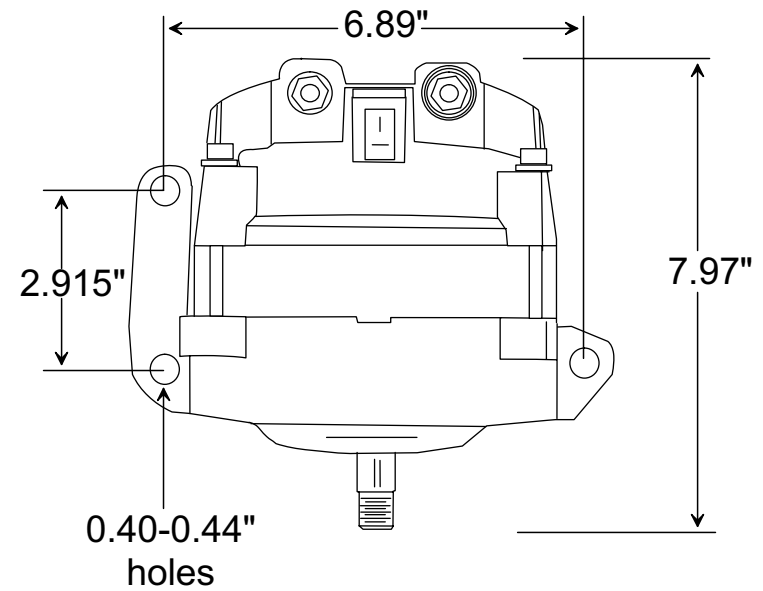
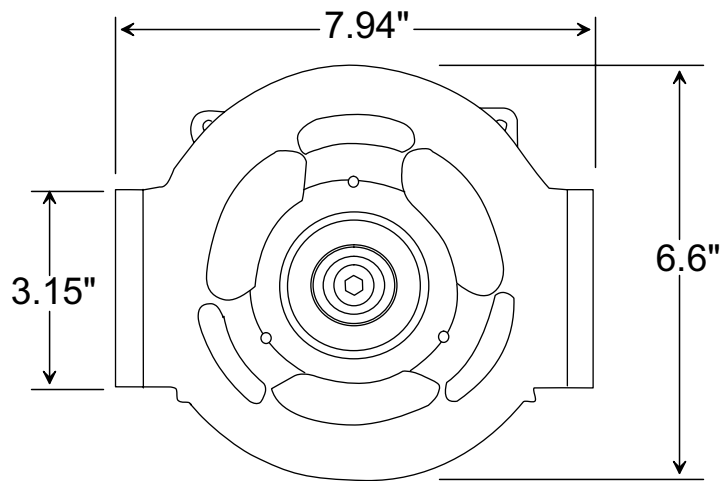
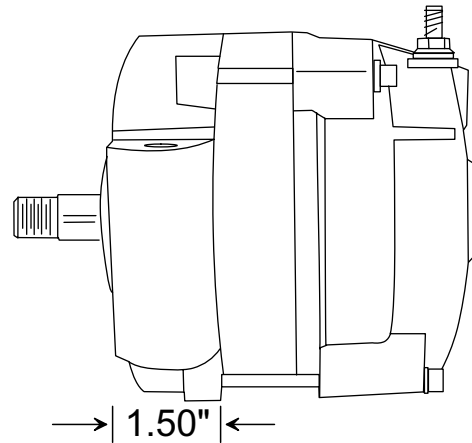


PX-520TD



NOTE:

ALL DIMENSIONS ARE LISTED FOR QUICK REFERENCE. CONTACT PENNTEX FOR PRECISE MEASUREMENTS IF REQUIRED FOR BRACKETS OR SPECIAL APPLICATIONS.

PennTex
INDUSTRIES, INC.
DRAWING BY DMc

DATE: 01-08-2008

Scale: None

**PX-5TD-200 ALTERNATOR
FROM PX-520TD KIT,
12 VOLT, 200 AMP,
TANGENT MOUNT**