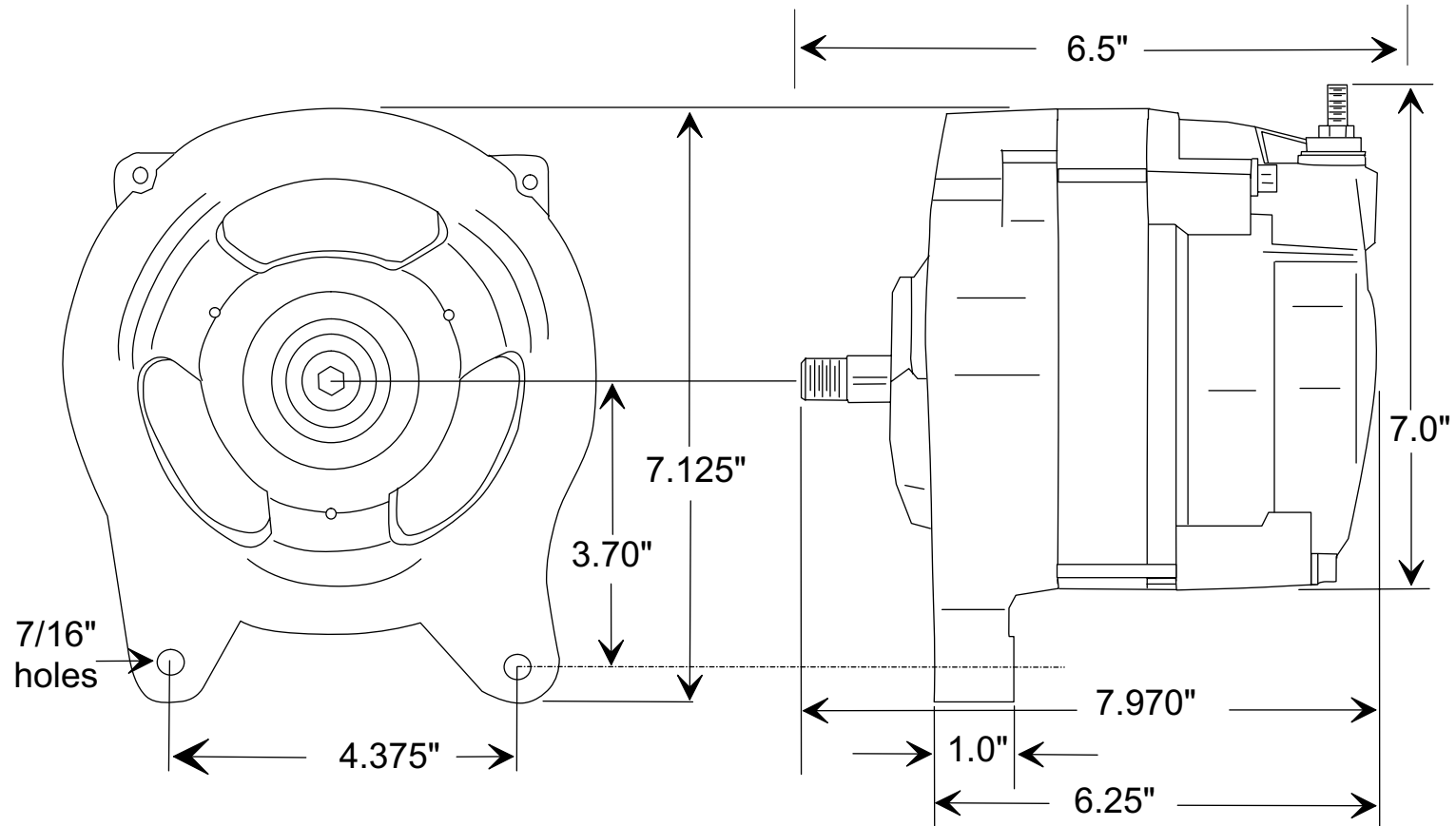


# PX-525RD



**NOTE:**

ALL DIMENSIONS ARE LISTED FOR QUICK REFERENCE. CONTACT PENNTEX FOR PRECISE MEASUREMENTS IF REQUIRED FOR BRACKETS OR SPECIAL APPLICATIONS.

**PennTex**  
INDUSTRIES, INC.  
DRAWING BY DMc

DATE: 01-08-2008

Scale: None

**PX-5RD-250 ALTERNATOR  
FROM PX-525RD KIT  
14 VOLT, 250 AMP,  
MODULAR MOUNT**