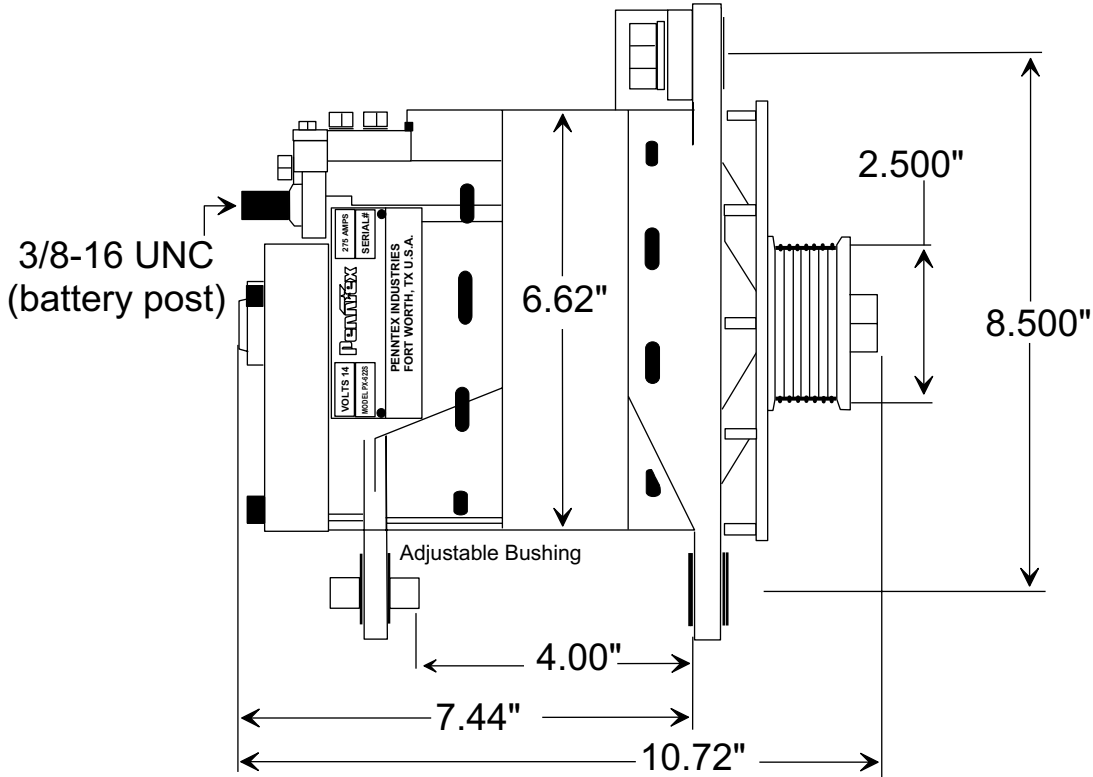


PX-614SH



NOTE:

ALL DIMENSIONS ARE LISTED FOR QUICK REFERENCE. CONTACT PENNTEX FOR PRECISE MEASUREMENTS IF REQUIRED FOR BRACKETS OR SPECIAL APPLICATIONS.

PennTex INDUSTRIES, INC. DATE: 07-25-2008
DRAWING BY DMc Scale: None

**PX-6SH-140 ALTERNATOR
FROM PX-614SH KIT,
28 VOLT, 140 AMP,
J-180 MOUNT**