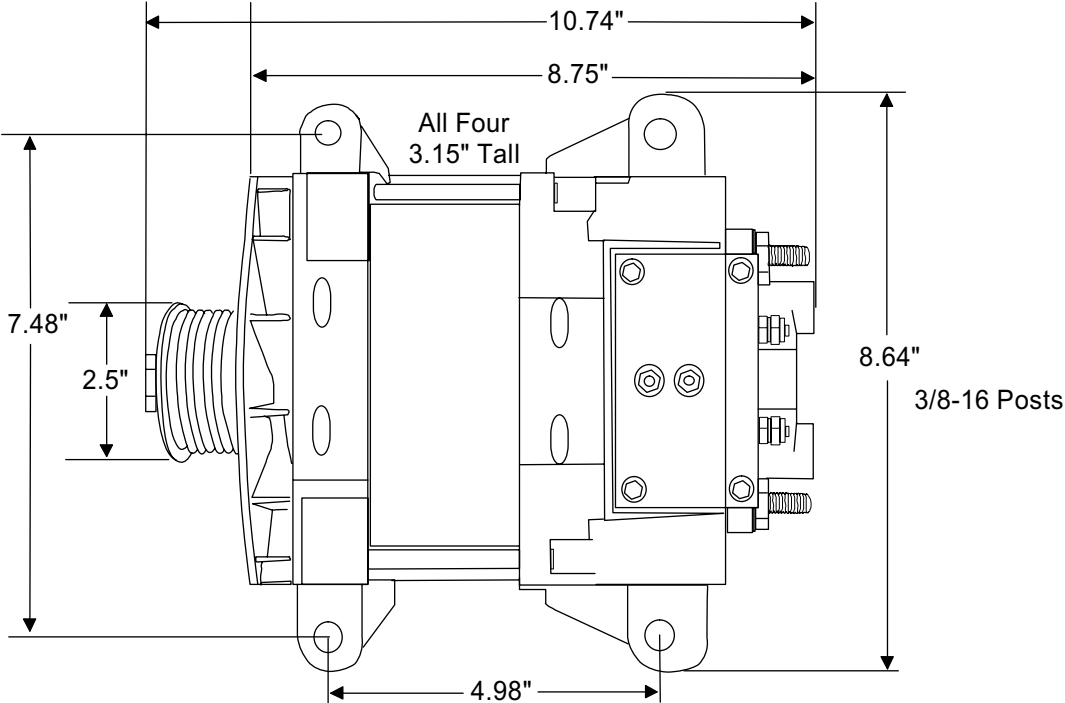


# PX-622Q



**NOTE:**

ALL DIMENSIONS ARE LISTED FOR QUICK REFERENCE. CONTACT PENNTEX FOR PRECISE MEASUREMENTS IF REQUIRED FOR BRACKETS OR SPECIAL APPLICATIONS.

**PennTex**  
INDUSTRIES, INC.  
DRAWING BY DMc

DATE: 02-13-2014  
Scale: None

**PX-6Q-220 ALTERNATOR  
FROM PX-622Q KIT, 12 VOLT,  
220 AMPS, QUAD MOUNT**