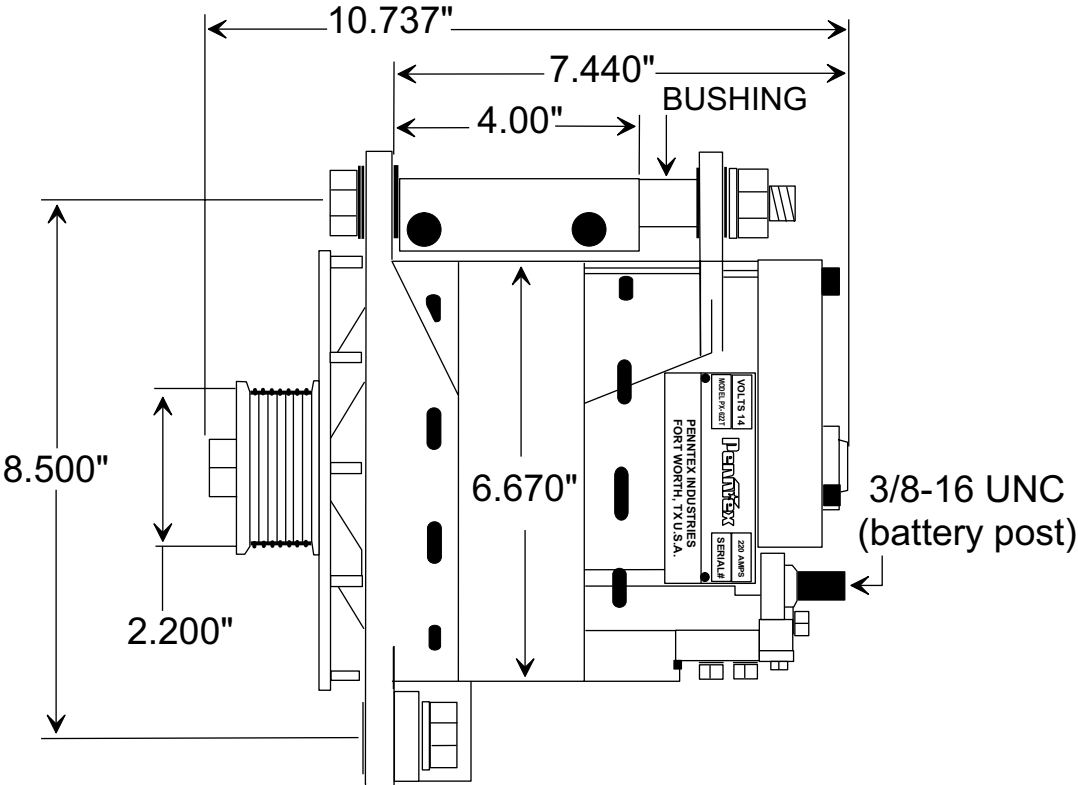


PX-627T



NOTE:
ALL DIMENSIONS ARE LISTED FOR QUICK REFERENCE. CONTACT PENNTEX FOR PRECISE MEASUREMENTS IF REQUIRED FOR BRACKETS OR SPECIAL APPLICATIONS.

PennTex INDUSTRIES, INC. DATE: 01-14-2008
DRAWING BY DMc Scale: None

**PX-6T-275 ALTERNATOR
FROM PX-627T KIT,
12 VOLT, 275 AMP**