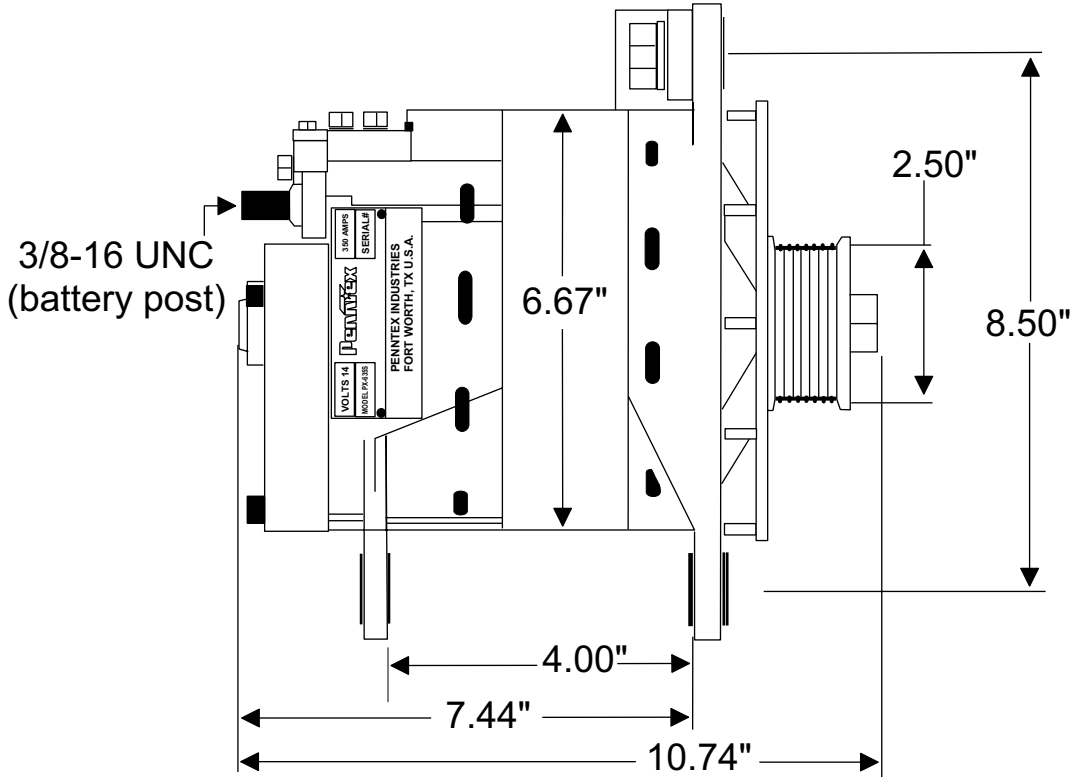


PX-635S



NOTE:

ALL DIMENSIONS ARE LISTED FOR QUICK REFERENCE. CONTACT PENNTEX FOR PRECISE MEASUREMENTS IF REQUIRED FOR BRACKETS OR SPECIAL APPLICATIONS.

Penntex INDUSTRIES, INC. DATE: 01-14-2008
DRAWING BY DMc. Scale: None

**PX-6S-350 ALTERNATOR
FROM PX-635S KIT, 14 VOLT,
350 AMP, J-180 MOUNT**