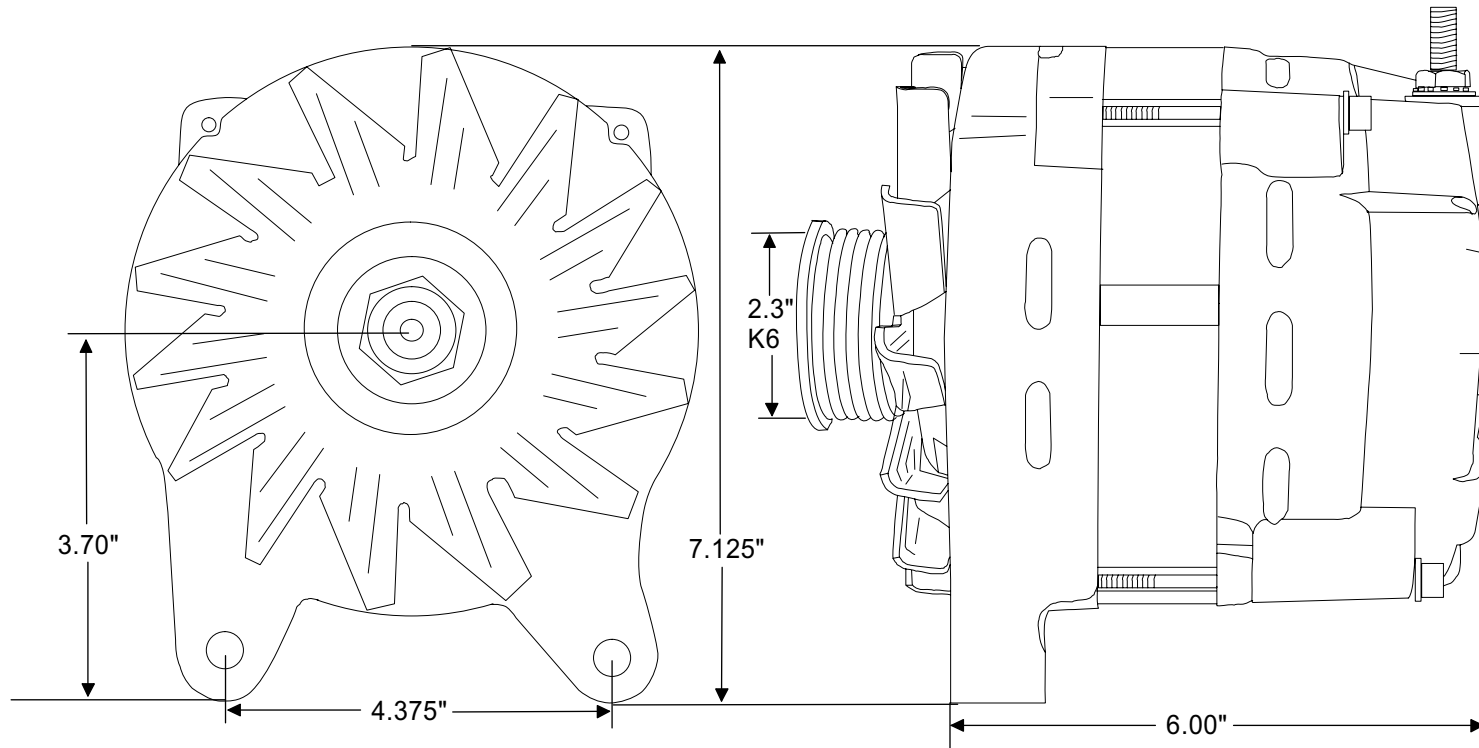


# PX-7RD-230



**NOTE:**

ALL DIMENSIONS ARE LISTED FOR QUICK REFERENCE. CONTACT PENNTEX FOR PRECISE MEASUREMENTS IF REQUIRED FOR BRACKETS OR SPECIAL APPLICATIONS.

**PennTex**  
INDUSTRIES, INC.  
DRAWING BY DMc

DATE: 02-13-2014

Scale: None

**PX-7RD-230 ALTERNATOR  
FROM PX-723RD KIT  
12 VOLTS- 230 AMPS**