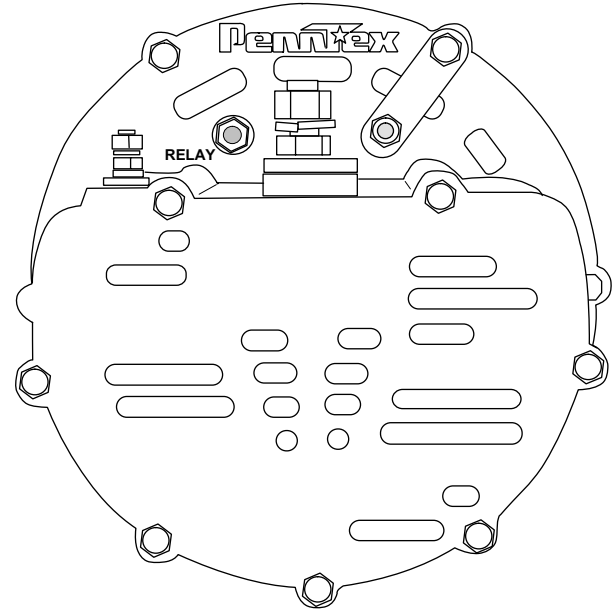
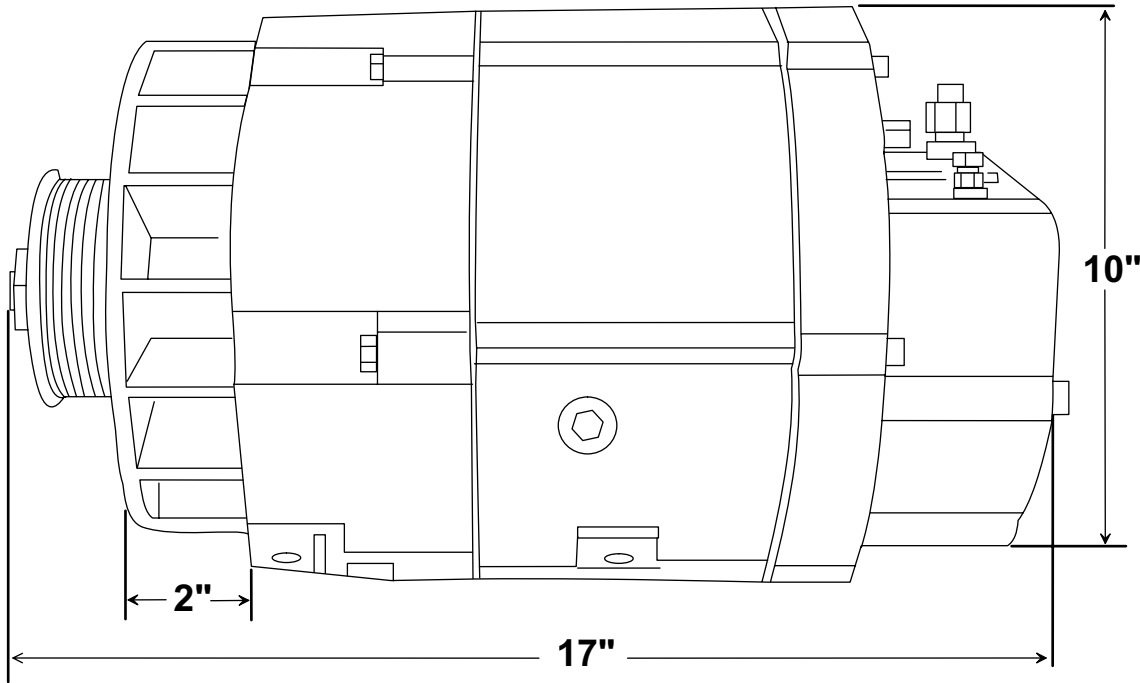


PX-833



NOTE:

ALL DIMENSIONS ARE LISTED FOR QUICK REFERENCE. CONTACT PENNTEX FOR PRECISE MEASUREMENTS IF REQUIRED FOR BRACKETS OR SPECIAL APPLICATIONS.

PennTex
INDUSTRIES, INC.
DRAWING BY DMc.

DATE: 01-14-2008

Scale: None

**PX-8 ALTERNATOR
FROM PX-833 KIT, 330 AMP
24 VOLT, AIR COOLED**