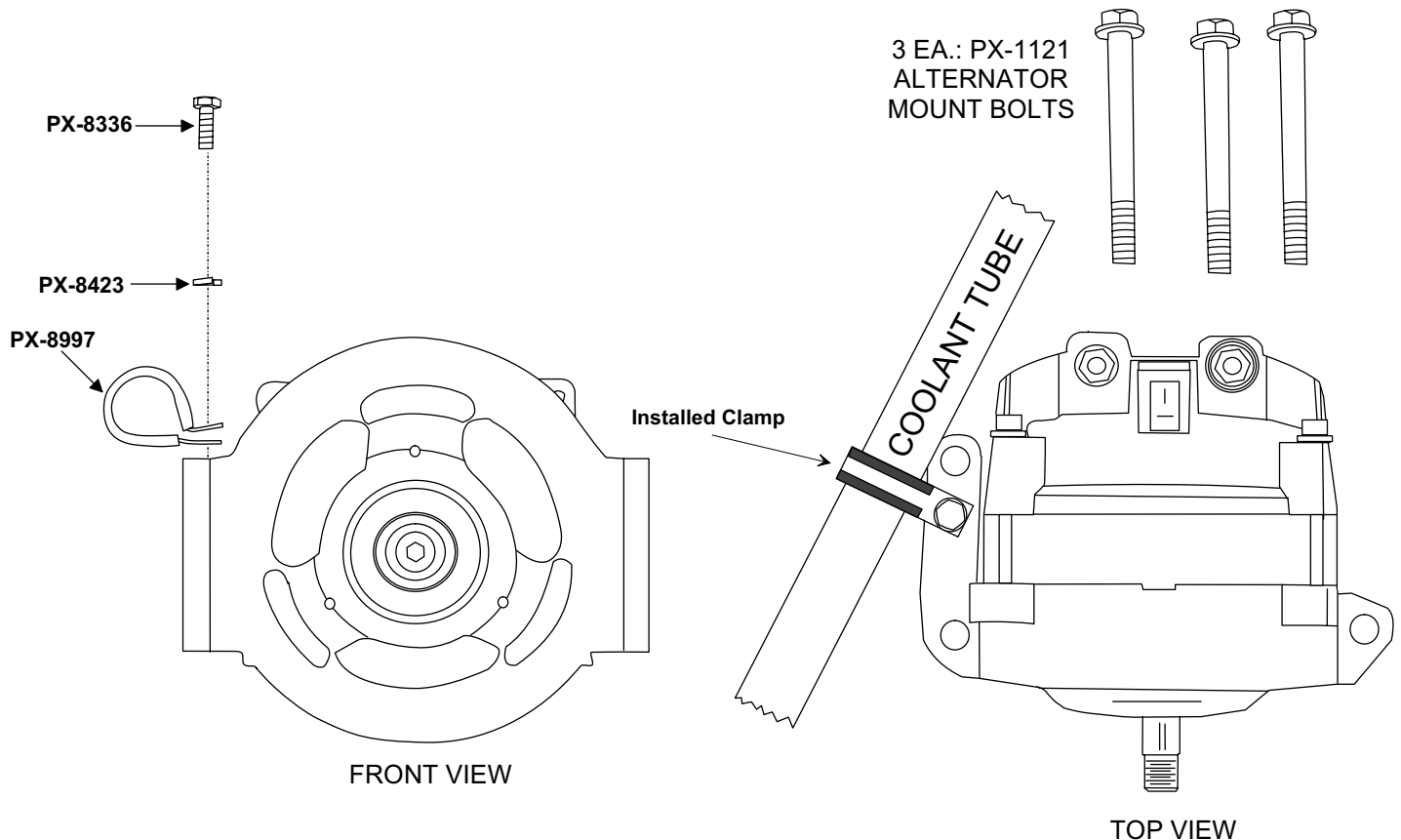


PX-8990 HEATER HOSE SUPPORT CLAMP KIT

Ford 6.0 diesel applications using PennTex alternator models
PX-520TD-6, PX520TD-12, PX-525TD-6, and PX525TD-12



Parts list:

- 1: PX-8423 Flat Washer
- 1: PX-8997 Clamp
- 1: PX-8336 1/4-20 x 3/4" Bolt
- 3: Alternator mount bolts

When installing a PennTex PX-520TD-6/12 or PX-525TD-6/12 Charging system on a 2004 or newer Ford E-Series Chassis with a 6.0L diesel engine, this PX-8990 Heater Hose Support Clamp Kit must be used. Install the clamp as shown in the above drawings to keep the metal tube portion of the heater hose from rubbing against the alternator. Please call the PennTex Technical Department toll-free at 866-590-7366 if you have any questions regarding this installation.