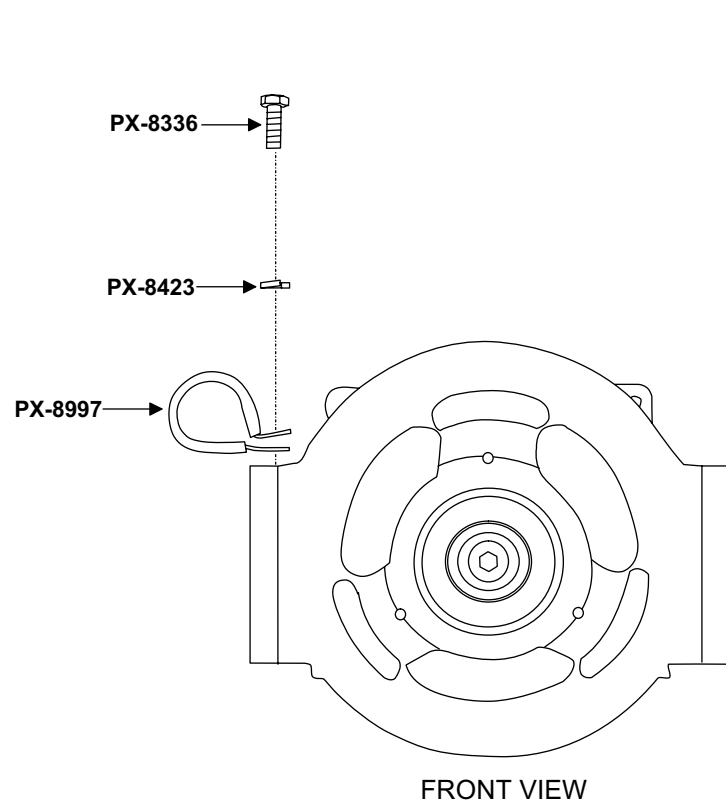
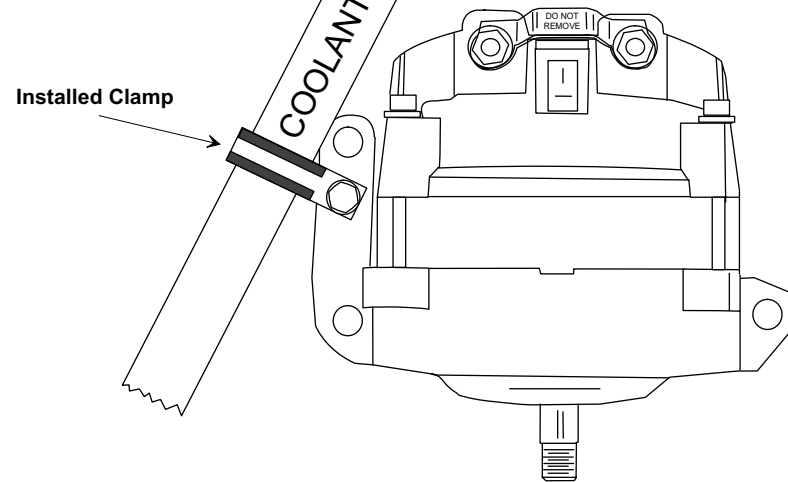
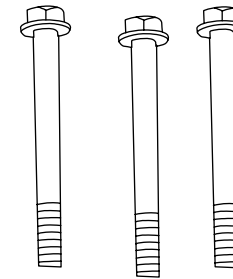


PX-8990

**Ford 6.0L Diesel Applications Using PennTex Alternator Models
PX-520TD-6, PX-520TD-12, PX-525TD-6 or PX-525TD-12**



3 EA.: PX-1121
ALTERNATOR
MOUNT BOLTS



PX-5TD-12-200 OR 250 SHOWN

Note:
For use on 2004-06 Ford E-Series Chassis with a 6.0L Diesel Engine. Install the clamp as indicated in the above diagram to keep the metal tube portion of the heater hose assembly from rubbing against the alternator. Contact PennTex at 1-877-590-7366.

PennTex DATE: 12-21-2007
INDUSTRIES, INC.
DRAWING BY DMc. Scale: None

**PX-8990
HEATER HOSE CLAMP KIT**