

PX-833 and PX-8 BCK Alternator Cable Support Clamp Kits

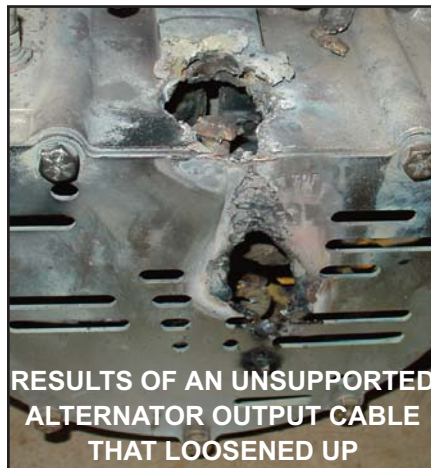
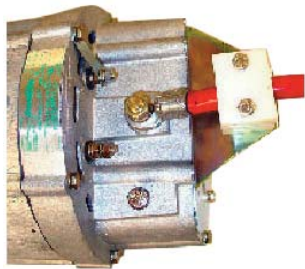
What do the support clamp kits do? A large diameter battery cable is heavy and it will bounce up and down when the vehicle goes over a bump. The battery cable terminal end is the weak point. If left unsupported, it can cause the attaching nut to loosen or the terminal can even break in two. This could allow a high-amperage 24-volt battery cable to bounce around unprotected in the engine compartment. An example of that is below. Movement in an unsupported output cable loosened the cable terminal attaching nut. The resulting heat from the loose connection melted the brass output post and aluminum rear housing. What was left fell off and shorted against the alternator rear cover. A hole was melted in the rear cover.

PennTex Industries has two different Cable Support Clamp Kits available. The PX-8150 Kit, below on the left, supports only the positive output cable. and attaches to the rear of the alternator using two of the rear cover plate bolts.

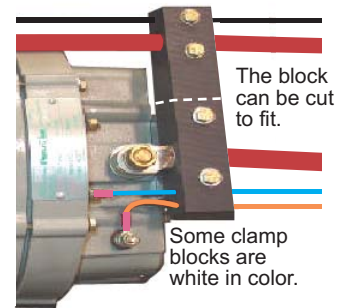
The PX-8968 Cable Support Clamp Kit, below on the right, supports the heavy positive & negative alternator cables, and also the two smaller alternator wires that can break off just as easily as the larger cables. With this kit, a replacement rear cover plate is included for the clamp mount. The clamp block can be trimmed to fit special applications.

Eliminate a known trouble spot with these support kits to make your vehicle more safe and reliable.

PX-8150 Cable Support Clamp Kit



PX-8968 Cable Support Clamp Kit



AN ADDITIONAL SAFETY NOTE: it has come to our attention that earlier OEM MCI-style cable support kits block water drainage and allow moisture to puddle in the output stud area. This will cause corrosion and excessive electrolysis over time. This may lead to a shorting of the alternator output post to the alternator rear frame. Proper water drainage was designed into both PennTex Cable Support Kits from the beginning. It would be a good idea to check your buses to be sure you don't have this water drainage issue.

PERFORMANCE, ENDURANCE AND SATISFACTION

PennTex
INDUSTRIES, INC.

Manufacturers of
High Efficiency Alternators and
Mobile Electronic Devices.

Corporate:
202 Plaza Drive
Manchester, PA 17345
Ph: 717-266-8762
Fax: 717-266-7803

Manufacturing/ Sales/ Tech/ Warranty:
7620 Flagstone Drive
Fort Worth, TX 76118
Ph: 817-590-2818
Toll Free: 877-590-7366
Fax: 817-590-0505, Tech Fax: 817-590-0398

www.penntexusa.com
Email: sales@penntexusa.com
tech@penntexusa.com

PennTex INDUSTRIES, INC.

PX-833 and PX-8 BCK

Alternator Cable
Support Clamp Kits:

PX-8150

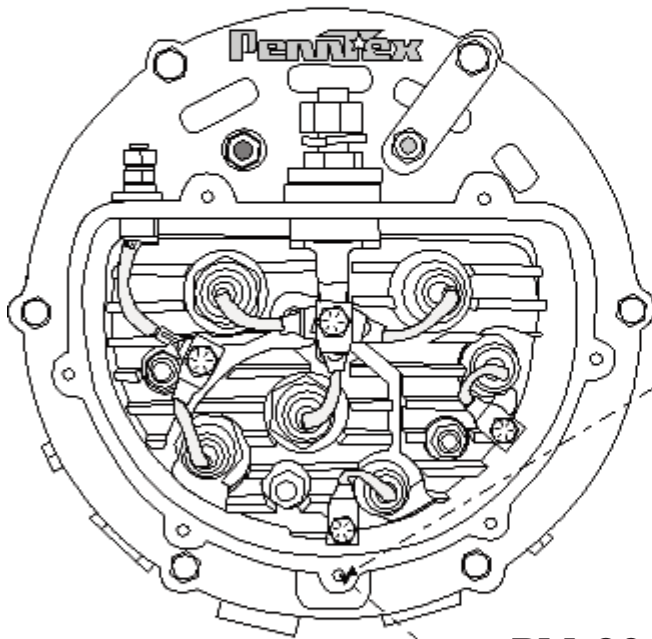
PX-8968

Contact us: Phone: 877-590-7366

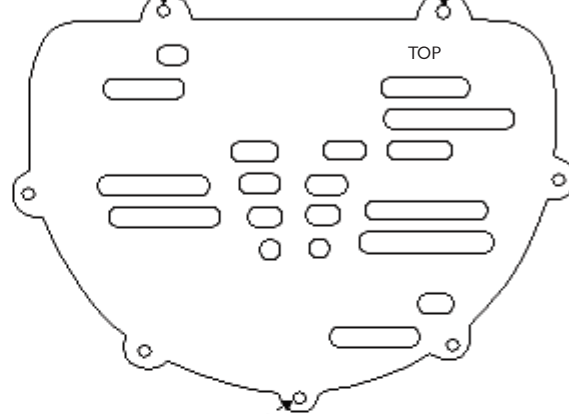
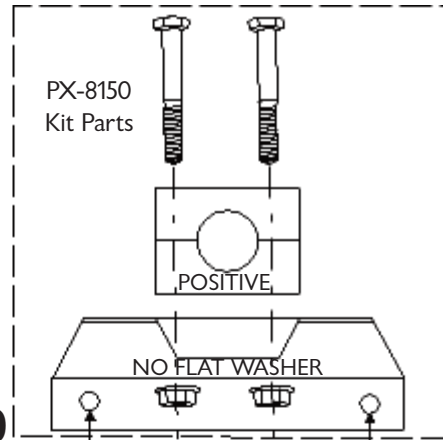
Fax: 817-590-0505

sales@penntexusa.com

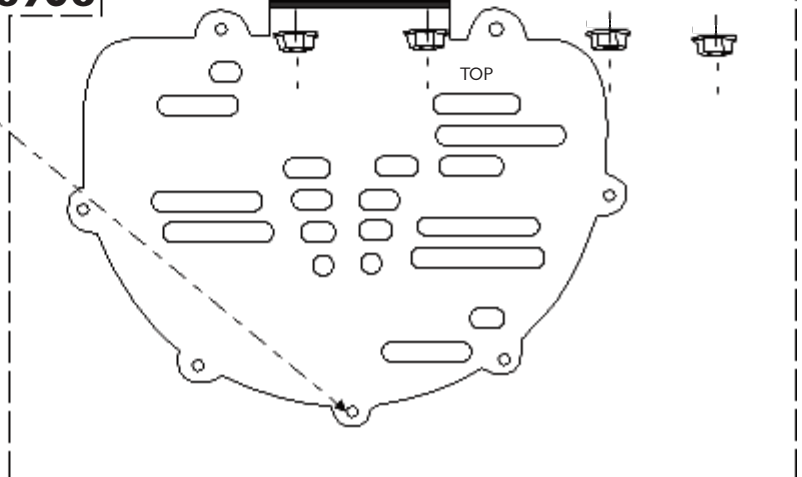
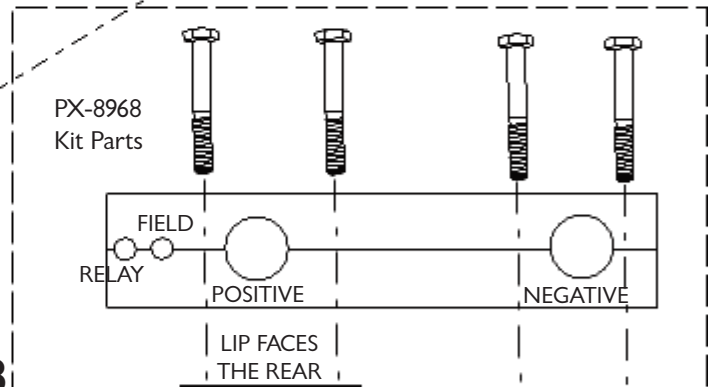
PENNTEx PX-833 OR A 50DN MODIFIED
WITH A PENNTEx PX-8 BCK OIL-TO-AIR
COOLED CONVERSION KIT



PX-8150

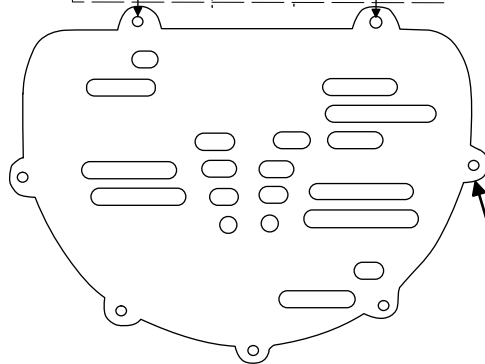
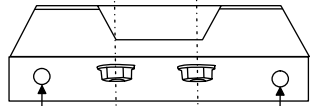
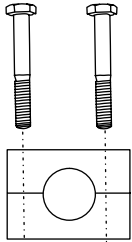


PX-8968



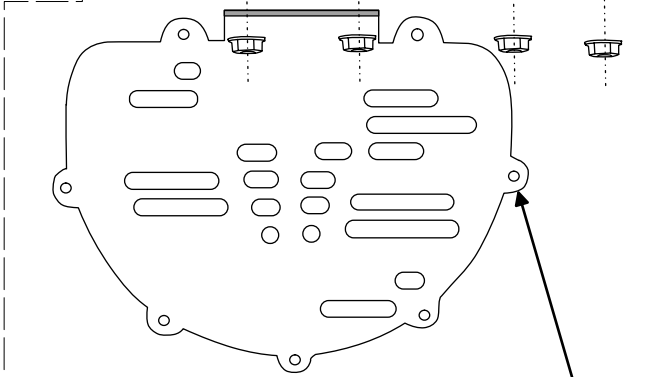
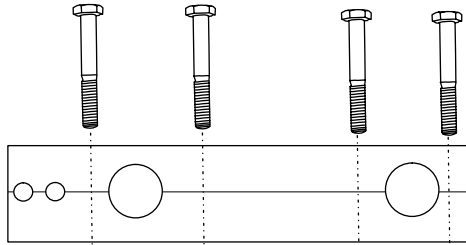
PARTS IN THE BOXES ARE INCLUDED THE KITS

PX-8150

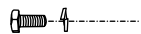
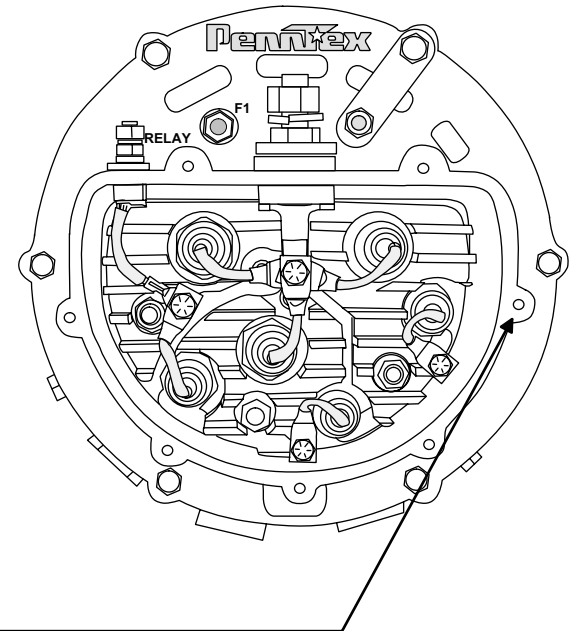


REAR COVER PLATE IS AVAILABLE AS PX-8148

PX-8968 CABLE SUPPORT KIT



REAR COVER PLATE IS INCLUDED WITH PX-8968. COVER PLATE WITH ADDED MATERIAL TO SUPPORT THE CLAMP IS AVAILABLE AS PX-8149.



REAR COVER PLATE ATTACHING PARTS ARE: 7)PX-8336 BOLTS & 7)PX-8423 LOCK WASHERS, OR THE ORIGINAL PLATE ATTACHING HARDWARE CAN BE USED.

NOTE:

CABLE SUPPORT CLAMP KITS FOR PX-833 ALTERNATOR OR 50DN REBUILT WITH PENNTEX PX-8 BCK OIL-TO-AIR CONVERSION KIT. CONTACT PENNTEX @ 877-590-7366

Rev	Date	Description	By	DN#	Scale: Do Not Scale		
					BY:	Date:	
					Drawn:	DMc	02-23-10
					Updated:		
					Apprvd:		

PennTex
INDUSTRIES, INC.

Corporate Office: Manchester, PA
Manufacturing & Sales: Ft. Worth, TX
877-590-7366 sales@penntexusa.com

DN # _____ Date: 02-25-10

DESCRIPTION:
CABLE SUPPORT CLAMP KITS

PART NO.
PX-8150 & PX-8968

SHEET NO.
1 OF 1