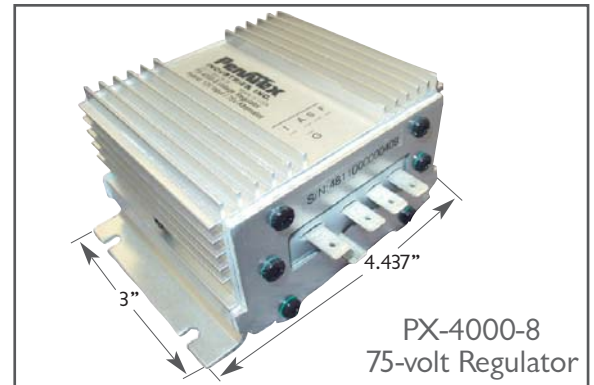
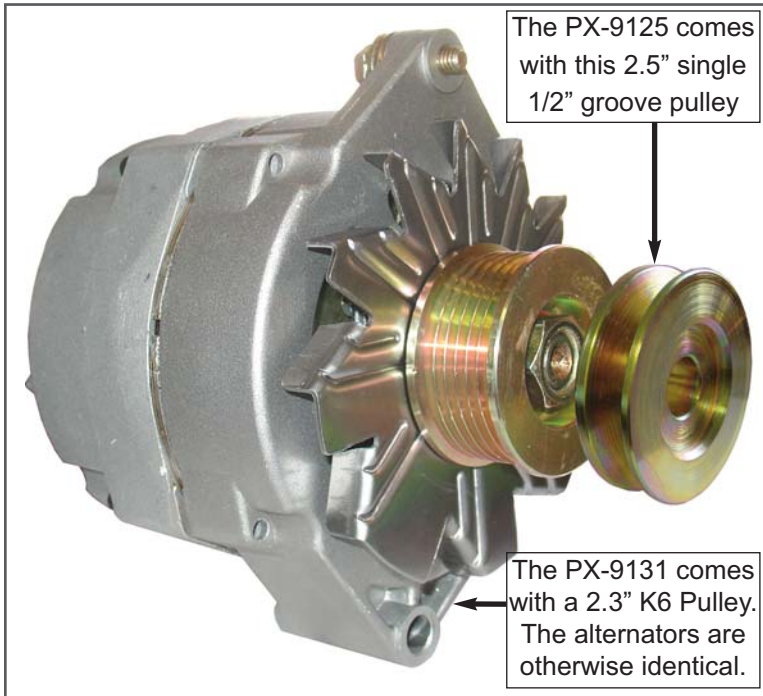


### HEAVY DUTY ALTERNATORS / CHARGING SYSTEMS

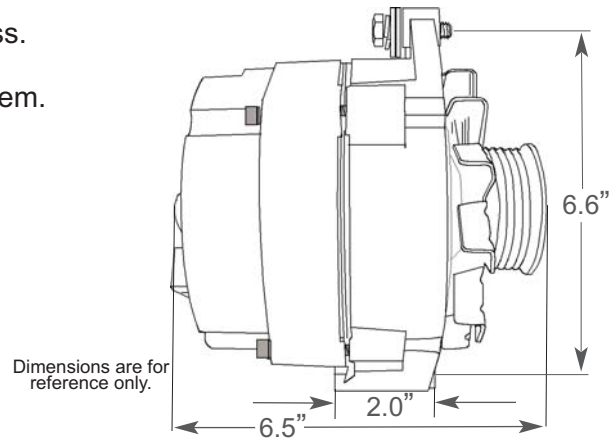


For Industrial-type vehicles that require reliable 14-amp, 75-volt power. This Hybrid charging system uses a 12-volt source to power accessories such as a windshield heater. Contact [sales@penntexusa.com](mailto:sales@penntexusa.com) or call 877-590-7366 for more information.

- ✦ These alternators use a PX-3522 charging system harness.
- ✦ The harness and regulator kit part number is PX-3525.
- ✦ Order PX-3525 & the alternator part # for a complete system.

WARRANTY

PENNTEx INDUSTRIES, INC. STANDARD INDUSTRIAL SERIES WARRANTY IS TWELVE (12) MONTHS/UNLIMITED MILES.



### PERFORMANCE, ENDURANCE AND SATISFACTION

**PennTex**  
INDUSTRIES, INC.

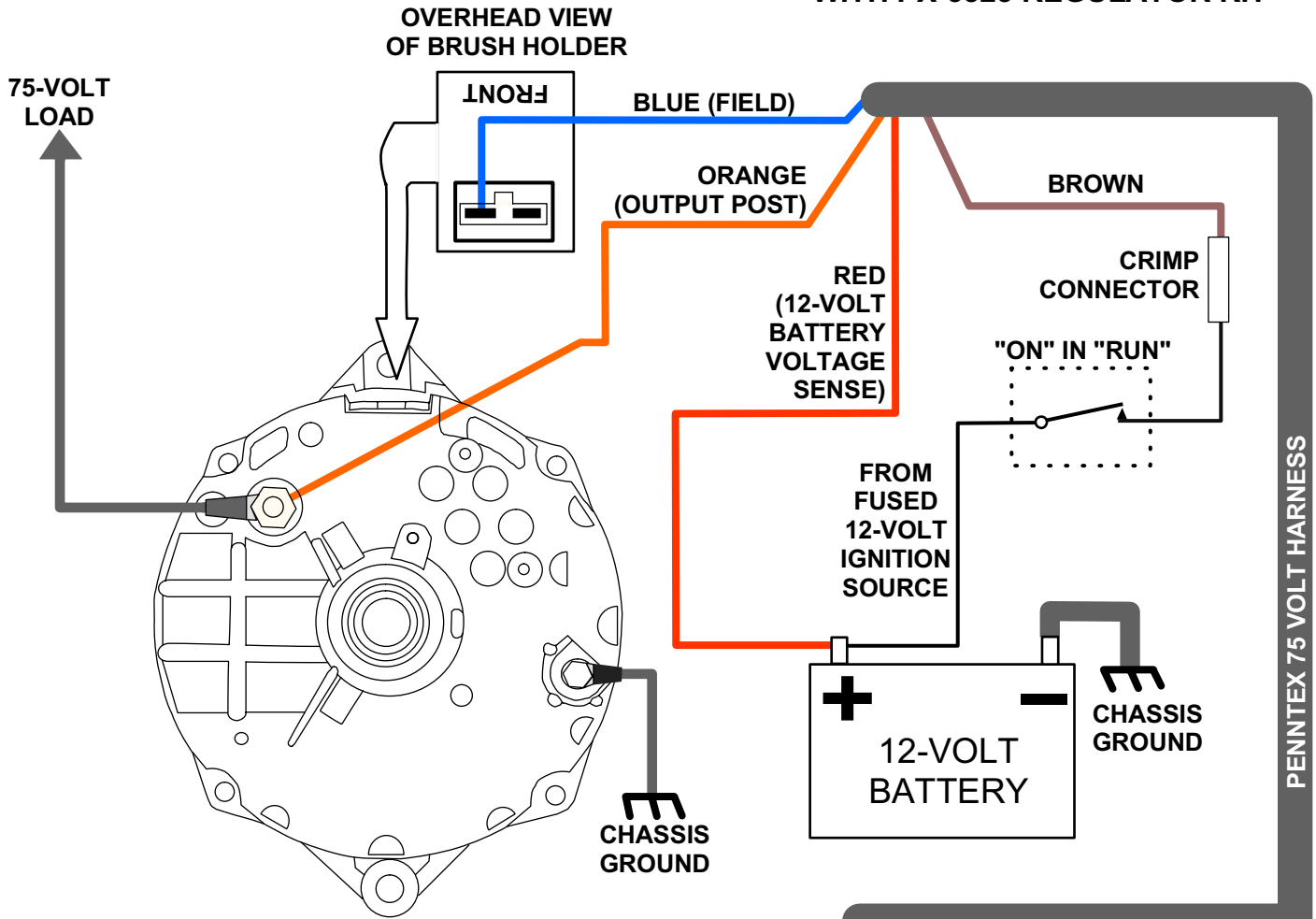
Manufacturers of  
High Efficiency Alternators and  
Mobile Electronic Devices.

Corporate:  
202 Plaza Drive  
Manchester, PA 17345  
Ph: 717-266-8762  
Fax: 717-266-7803

Sales/ Manufacturing/ Tech/ Warranty:  
7620 Flagstone Drive  
Fort Worth, TX 76118  
Ph: 817-590-2818, Toll Free: 877-590-7366  
Fax: 817-590-0505, Tech Fax: 817-590-0398

[www.penntexusa.com](http://www.penntexusa.com)  
email: [sales@penntexusa.com](mailto:sales@penntexusa.com)  
[tech@penntexusa.com](mailto:tech@penntexusa.com)

**75-VOLT PX-9125 or PX-9131  
WITH PX-3525 REGULATOR KIT**



**PENNTEX HARNESS KEY:**

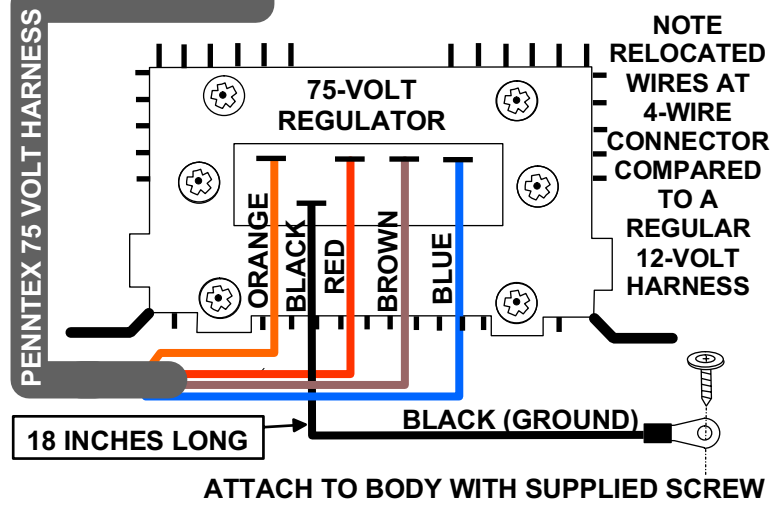
**BLUE:** ALTERNATOR FIELD  
**ORANGE:** ALTERNATOR OUTPUT POST  
**RED:** 12-VOLT BATTERY SENSE  
**BROWN:** 12-VOLT IGNITION-ON SOURCE  
**BLACK:** REGULATOR GROUND  
 (NOTE: A 12-VOLT REGULATOR OR HARNESS WILL NOT WORK IN THIS APPLICATION)

**HARNESS PART #: PX-3522**  
**3 FEET LONG**

**PULLEY USED ON ALTERNATOR MODEL:**

PX-9125: 2.5" X 1/2" SINGLE V-BELT  
 PX-9131: 2.3 K6 SERPENTINE BELT

**PX-3525: 75-VOLT REGULATOR & HARNESS KIT (REGULATOR IS PX-4000-8, HARNESS IS PX-3522)**



**NOTES:**

THIS IS A GENERIC WIRING SCHEMATIC FOR A 75-VOLT SYSTEM USING A PX-9125 OR PX-9131 ALTERNATOR AND A PX-3525 REGULATOR KIT (REGULATOR AND HARNESS). THIS DIAGRAM IS NOT SPECIFIC TO ANY CERTAIN MAKE, MODEL, OR ENGINE.

**Penntex INDUSTRIES, INC.**

FT. WORTH, TX    MANCHESTER, PA

877-590-7366    penntexusa.com

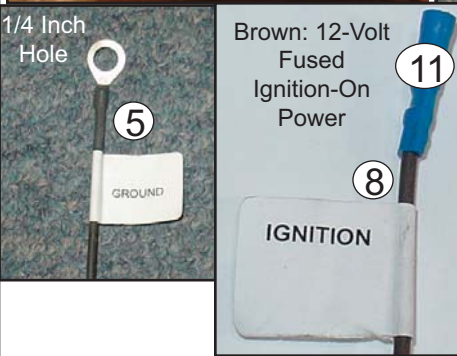
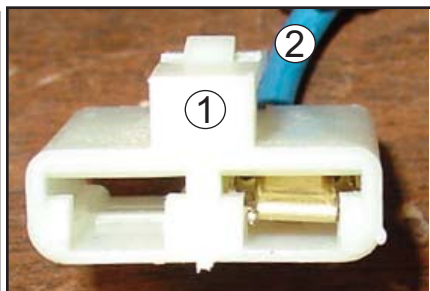
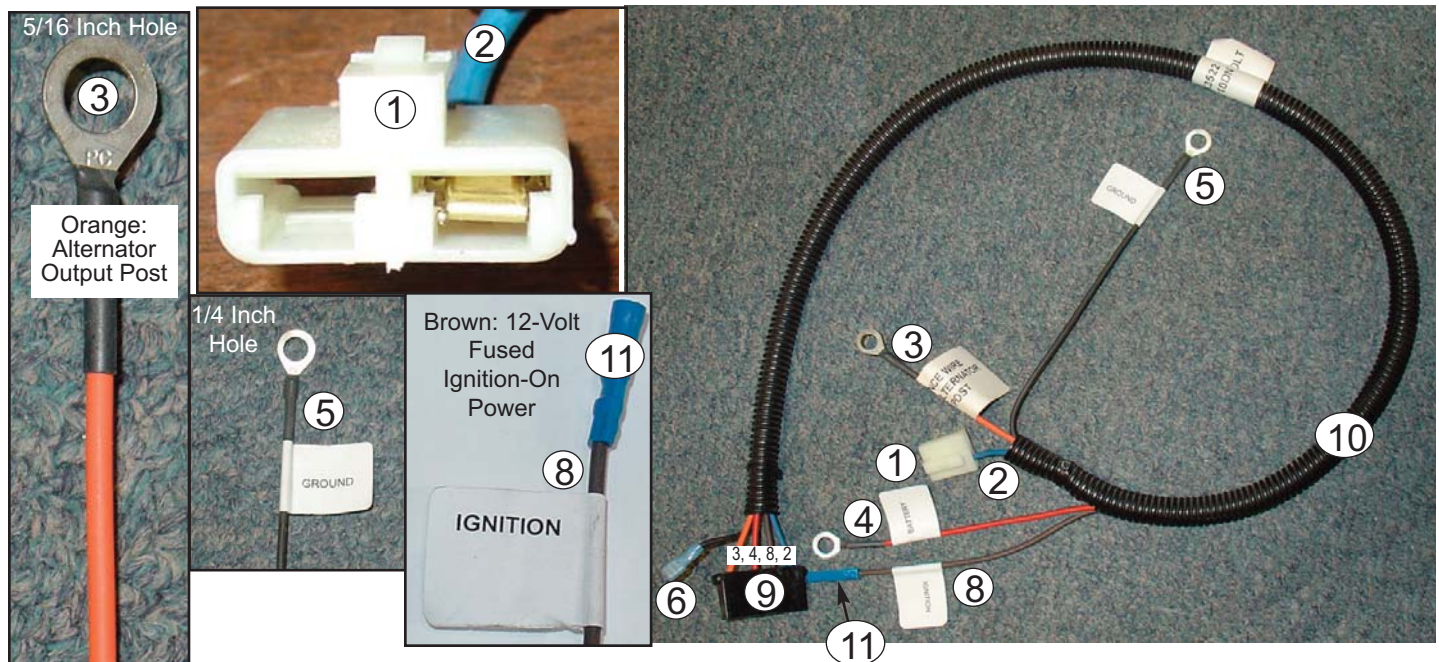
TITLE/DESC. <b>GENERIC WIRING DIAGRAM FOR A 75-VOLT PX-9125 OR PX-9131 ALTERNATOR WITH A PX-3525 REGULATOR KIT</b>		
DATE: 07-18-13	DRAWING NUMBER: PD-305	REVISION # F
DRAWN BY: DMC	UPDATED BY:	CHECKED BY:
SCALE: NONE		PAGE: 1 OF 1



**Get The PennTex Advantage!**  
 PERFORMANCE, ENDURANCE AND SATISFACTION

## PennTex PX-3522 Harness Connections For PX-9 Alternators

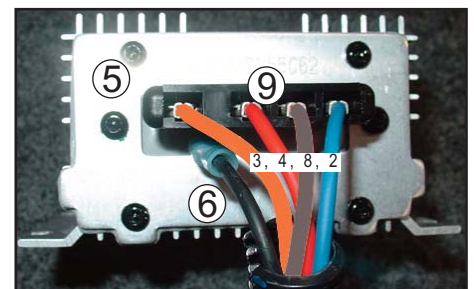
Used on 75-Volt Charging Systems using the PX-9125 & PX-9131 Alternator



**Part ID List:**

- 1) Alternator Connector (note that the Blue wire is the only wire in this connector.)
- 2) Blue / Field
- 3) Orange / Alternator Output Post
- 4) Red / Positive 12-Volt Battery Post
- 5) Voltage Regulator (not included)
- 6) Black / Regulator Ground Terminal Connection
- 7) Harness Ground Connector
- 8) Brown / Ignition-On Power
- 9) Regulator 4-Wire Connector
- 10) 1/2" Split Loom Wire Harness Protector
- 11) Blue Crimp Connector for 12-Volt Key-on Power

**NOTE THAT THE BROWN & ORANGE WIRE LOCATIONS ARE SWITCHED IF COMPARED TO MOST OTHER PENNTEX REGULATORS**



Voltage Regulator (not included with harness unless ordered as a kit)  
 Voltage Regulator 4-Wire Connector  
 Regulator Ground Wire Connector

**PERFORMANCE, ENDURANCE AND SATISFACTION**

**PennTex**  
 INDUSTRIES, INC.

Manufacturers of  
 High Efficiency Alternators and  
 Mobile Electronic Devices.

**Corporate:**  
 202 Plaza Drive  
 Manchester, PA 17345  
 Ph: 717-266-8762  
 Fax: 717-266-7803

**Manufacturing/ Sales/ Tech/ Warranty:**  
 7620 Flagstone Drive  
 Fort Worth, TX 76118  
 Ph: 817-590-2818, Toll Free: 877-590-7366  
 Fax: 817-590-0505, Tech Fax: 817-590-0398

[www.penntexusa.com](http://www.penntexusa.com)  
 Email: [sales@penntexusa.com](mailto:sales@penntexusa.com)  
[tech@penntexusa.com](mailto:tech@penntexusa.com)

