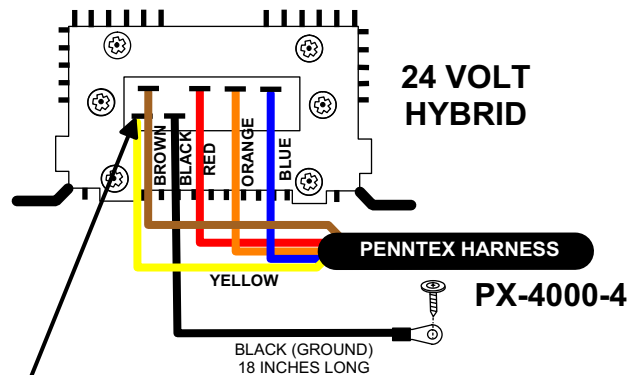
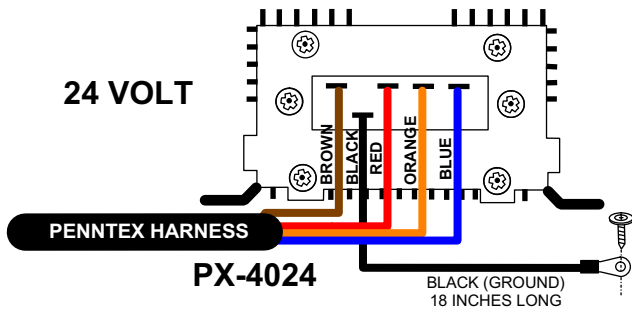
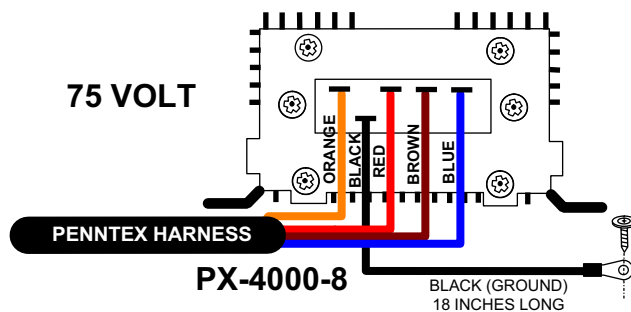


PENNTEX VOLTAGE REGULATORS - SPECIALTY



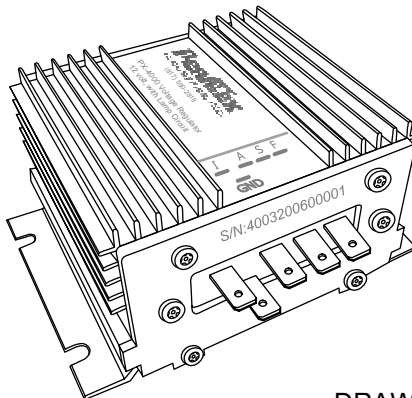
NOTE:
A 24 VOLT HYBRID REGULATOR USES A 12 VOLT IGNITION (BROWN) AND 12 VOLT (RED) SOURCE. THERE IS AN ADDITIONAL 24 VOLT SENSE WIRE (YELLOW) NEXT TO THE GROUND (BLACK) TERMINAL.



NOTE:
ON A PX-4000-8 (75 VOLT) BROWN AND ORANGE WIRE LOCATIONS ARE SWITCHED.

THE REGULATOR IS A MAXIMUM OF 72 INCHES FROM THE ALTERNATOR BECAUSE THAT'S HOW LONG THE HARNESS IS. TRACE THE HARNESS FROM THE PLUG AT THE BRUSH HOLDER WITH ONE ORANGE AND ONE BLUE WIRE AND FOLLOW THE HARNESS TO THE FIREWALL. THERE WILL BE A WHITE PLASTIC PASS-THROUGH TUBE AT THE FIREWALL. LOCATE THE HARNESS ON THE INSIDE OF THE VEHICLE AND TRACE THE HARNESS TO THE REGULATOR. IF THE REGULATOR IS MOUNTED IN THE ENGINE COMPARTMENT (NOT RECOMMENDED) USE THESE DRAWINGS TO IDENTIFY IT. TECH SUPPORT TOLL FREE: 877-590-7366

OVERALL VIEW OF PX-4000 (OTHERS SIMILAR)



DRAWING BY: DMc 07-05-07
DRAWING NUMBER:
APPROVED BY: